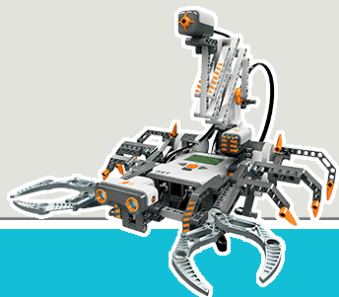
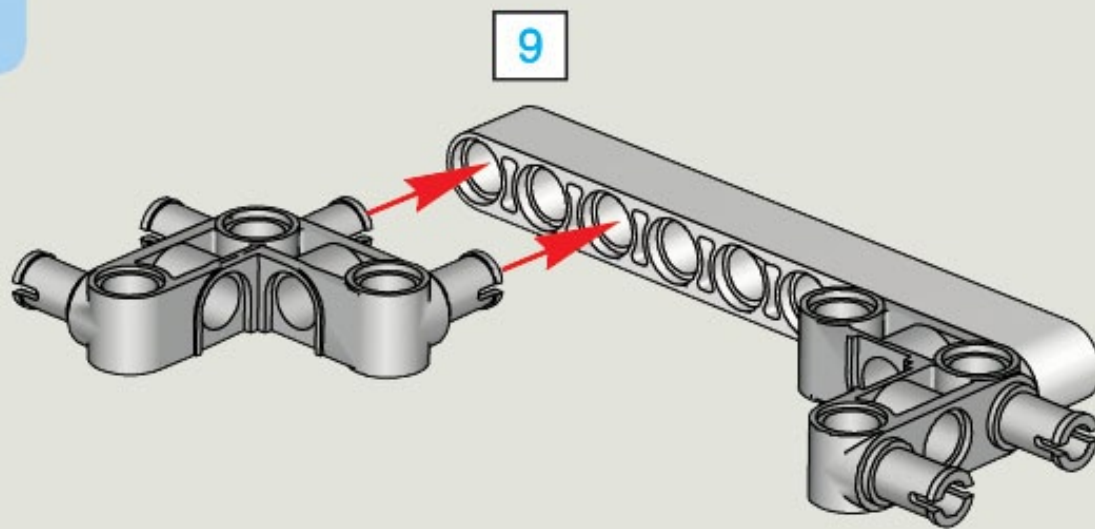
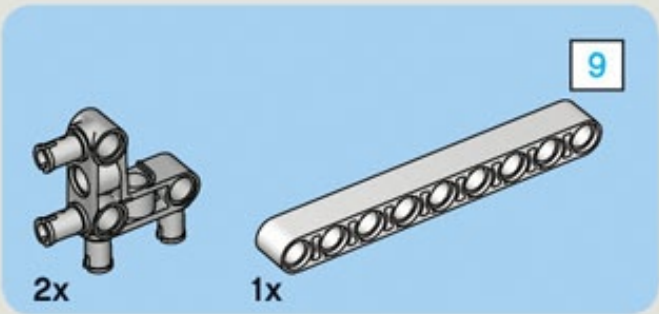
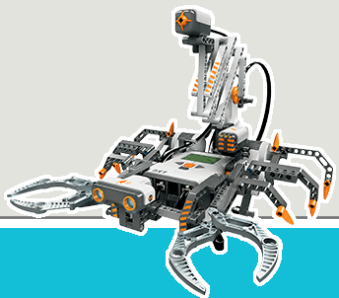
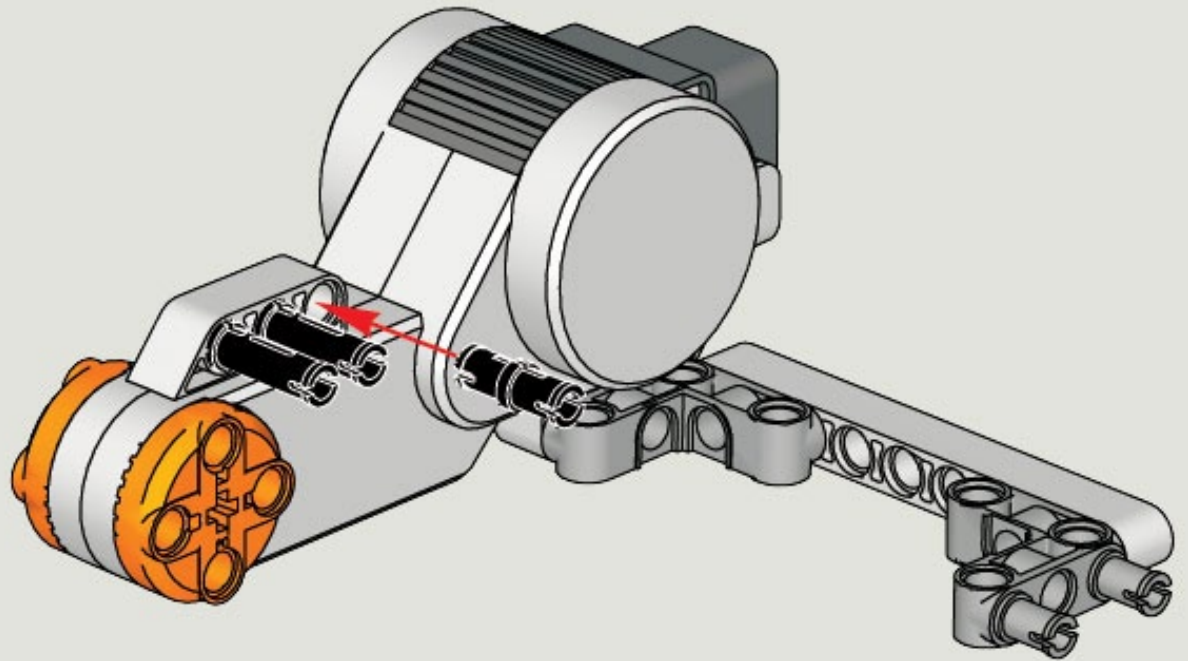
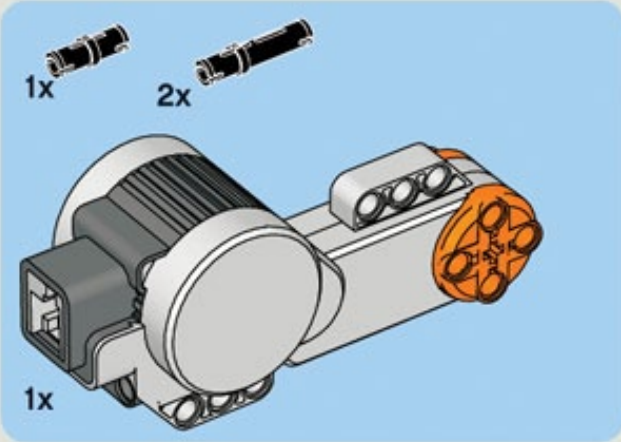


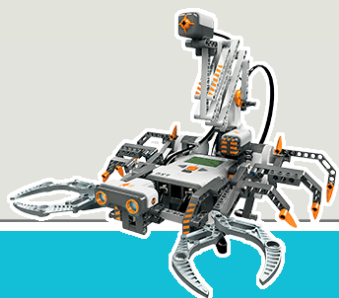
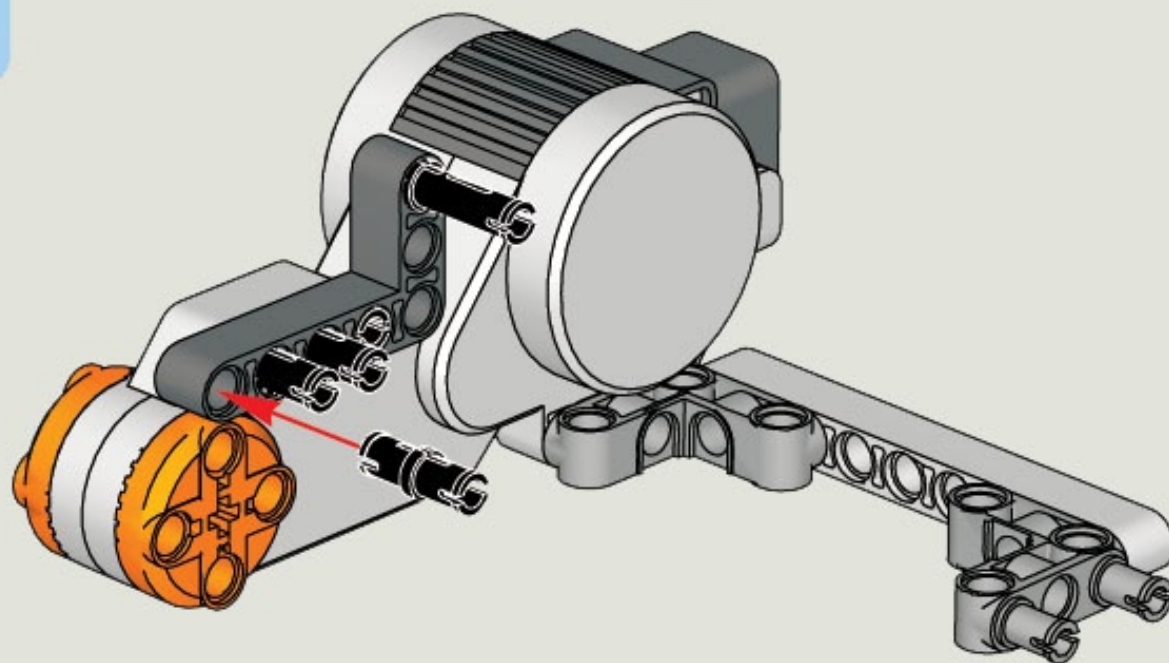
# Spike

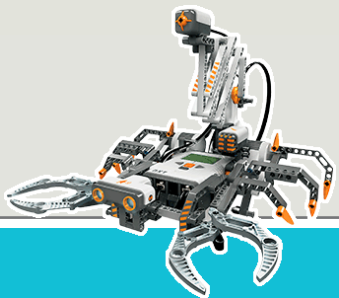
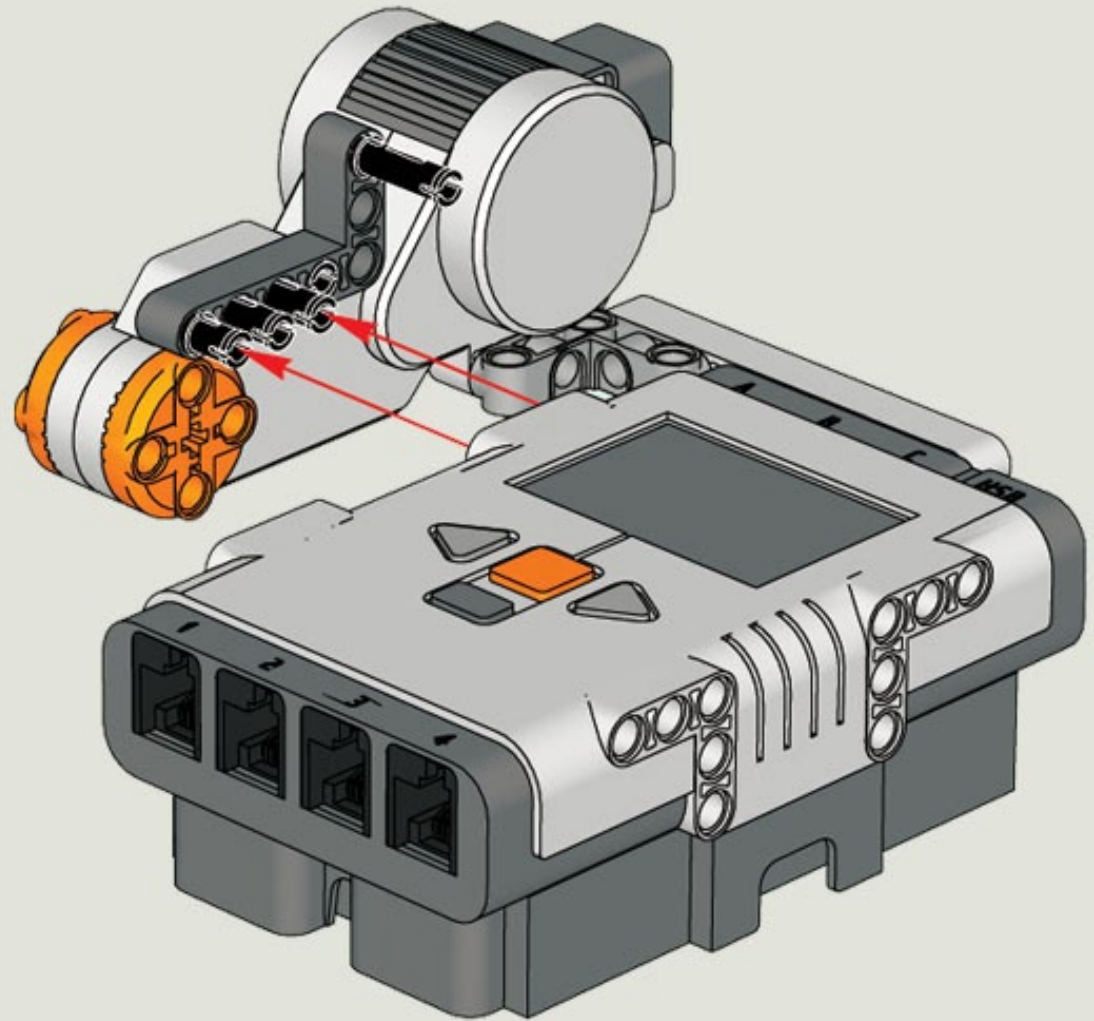
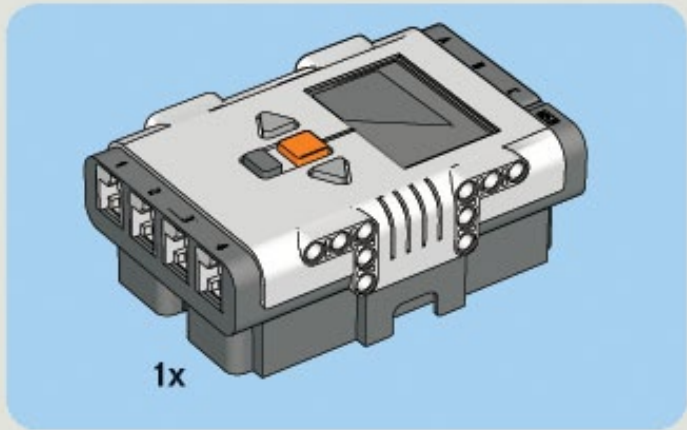


# Spike

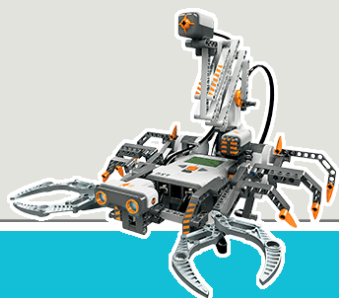
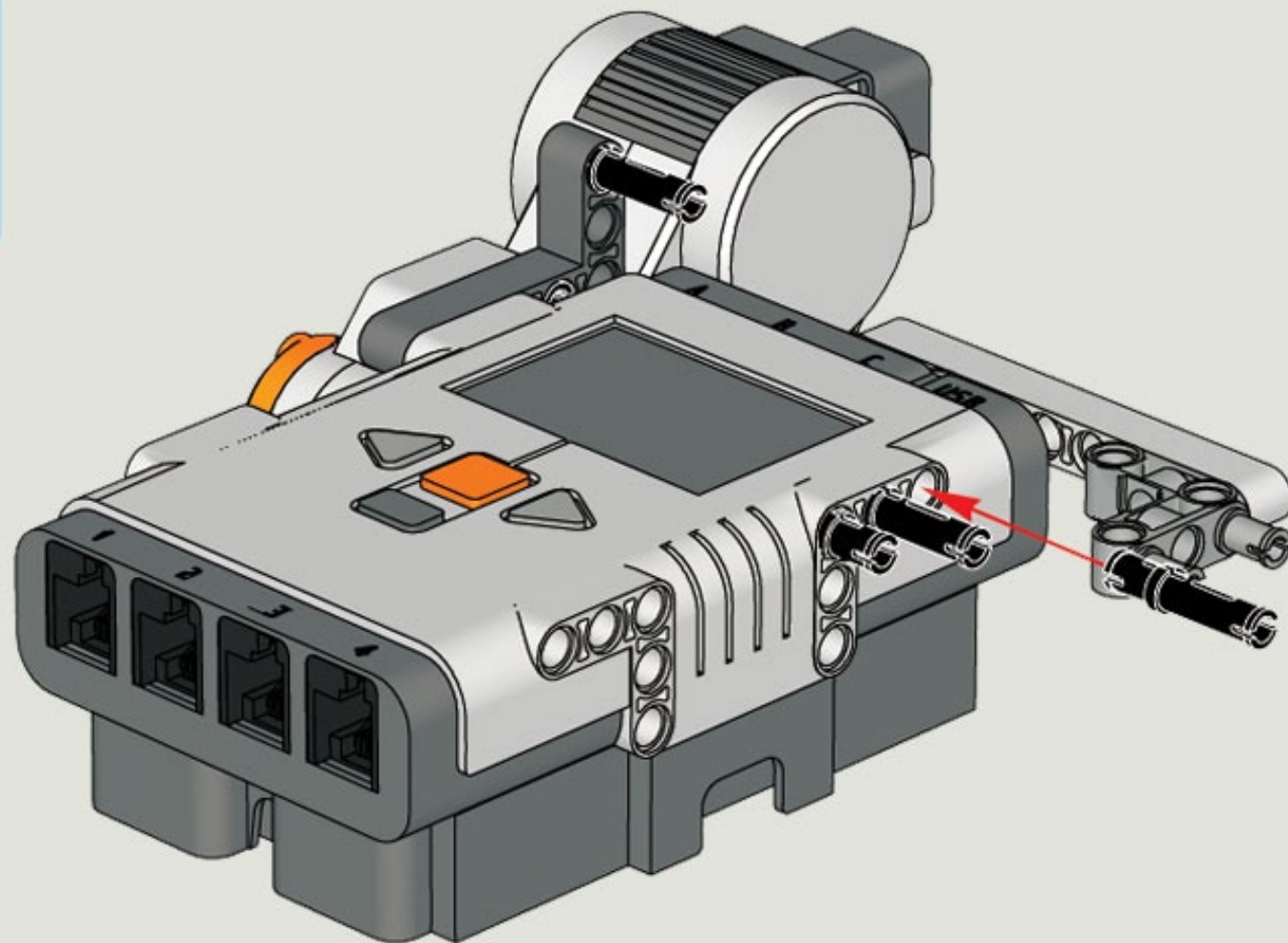


# Spike

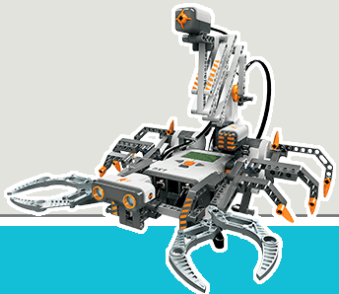
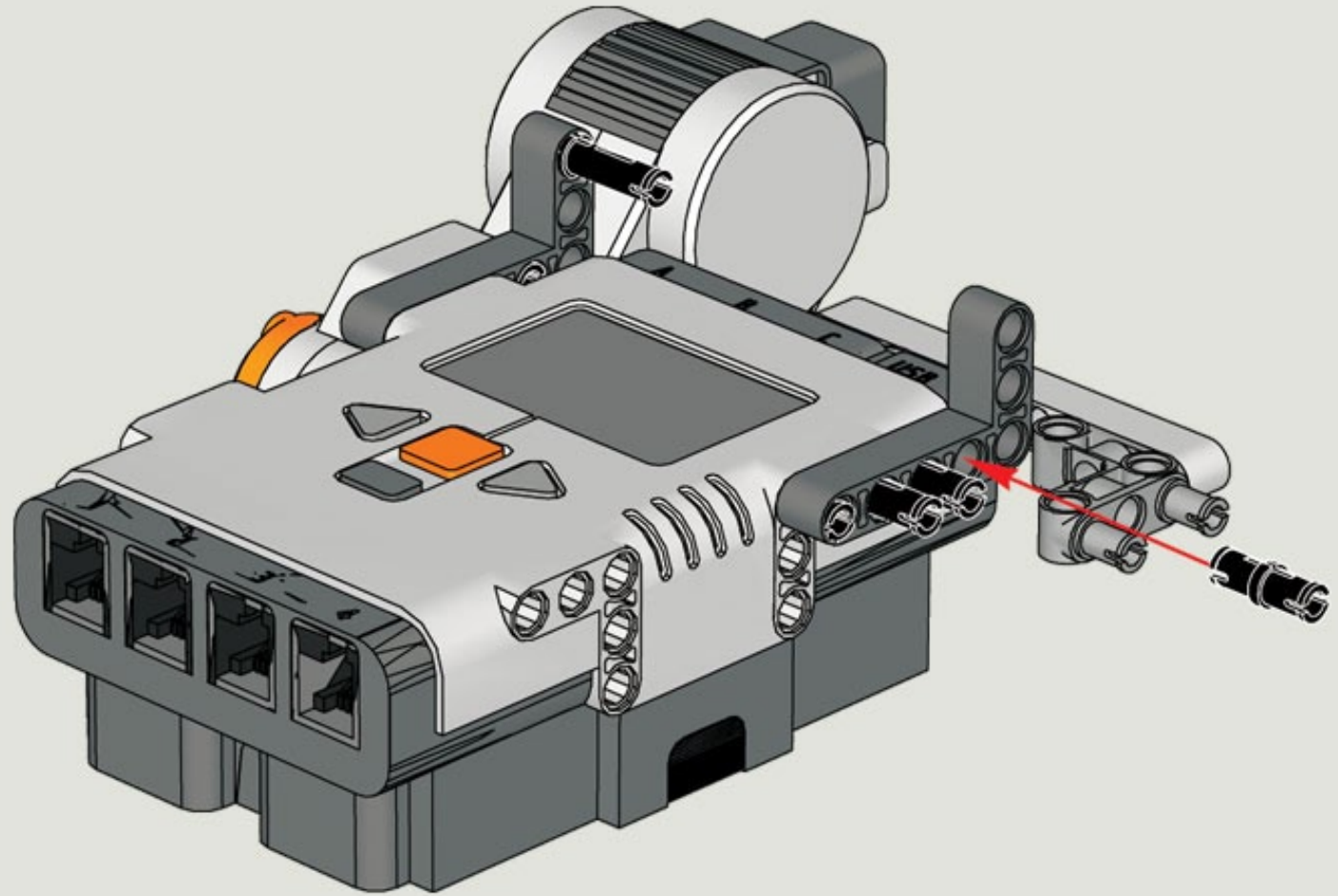
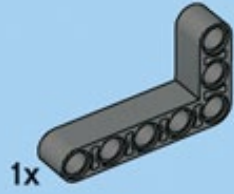


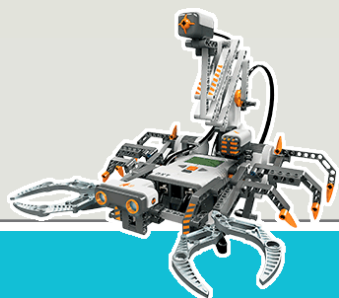
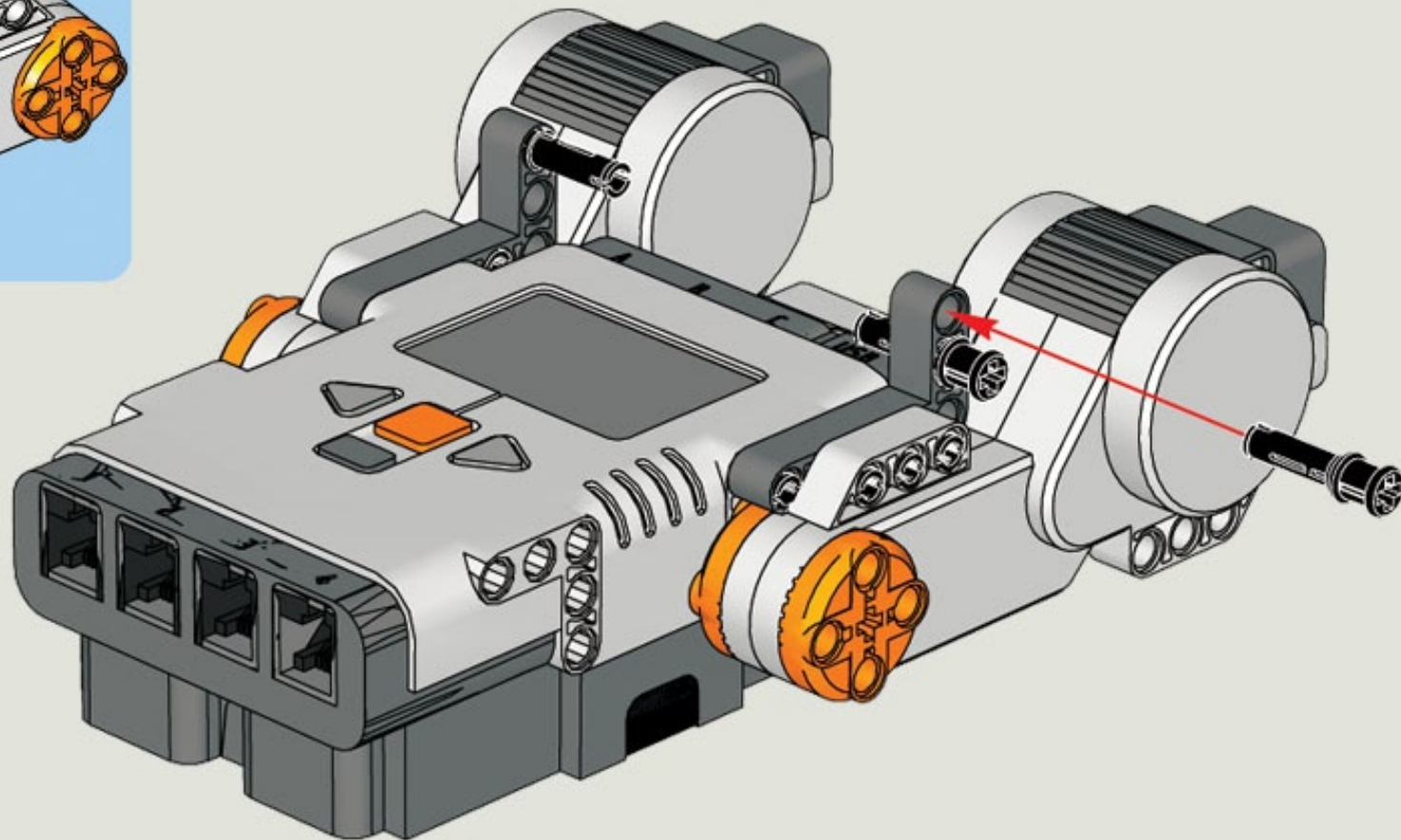
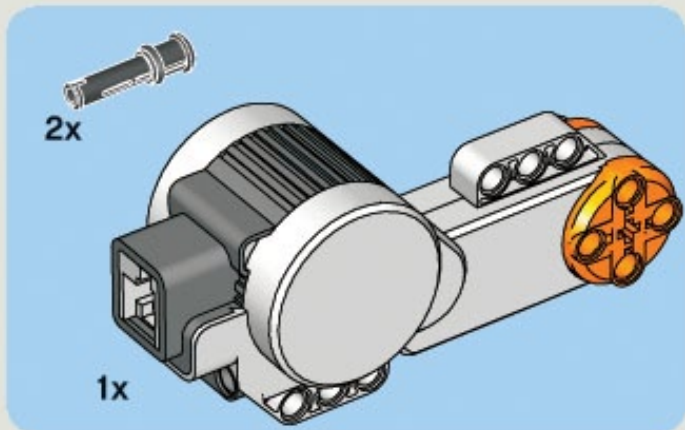


# Spike



# Spike





# Spike



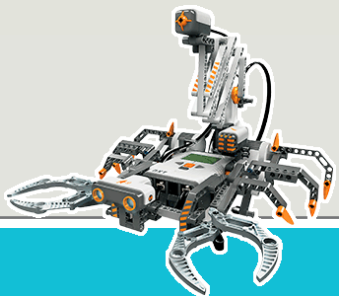
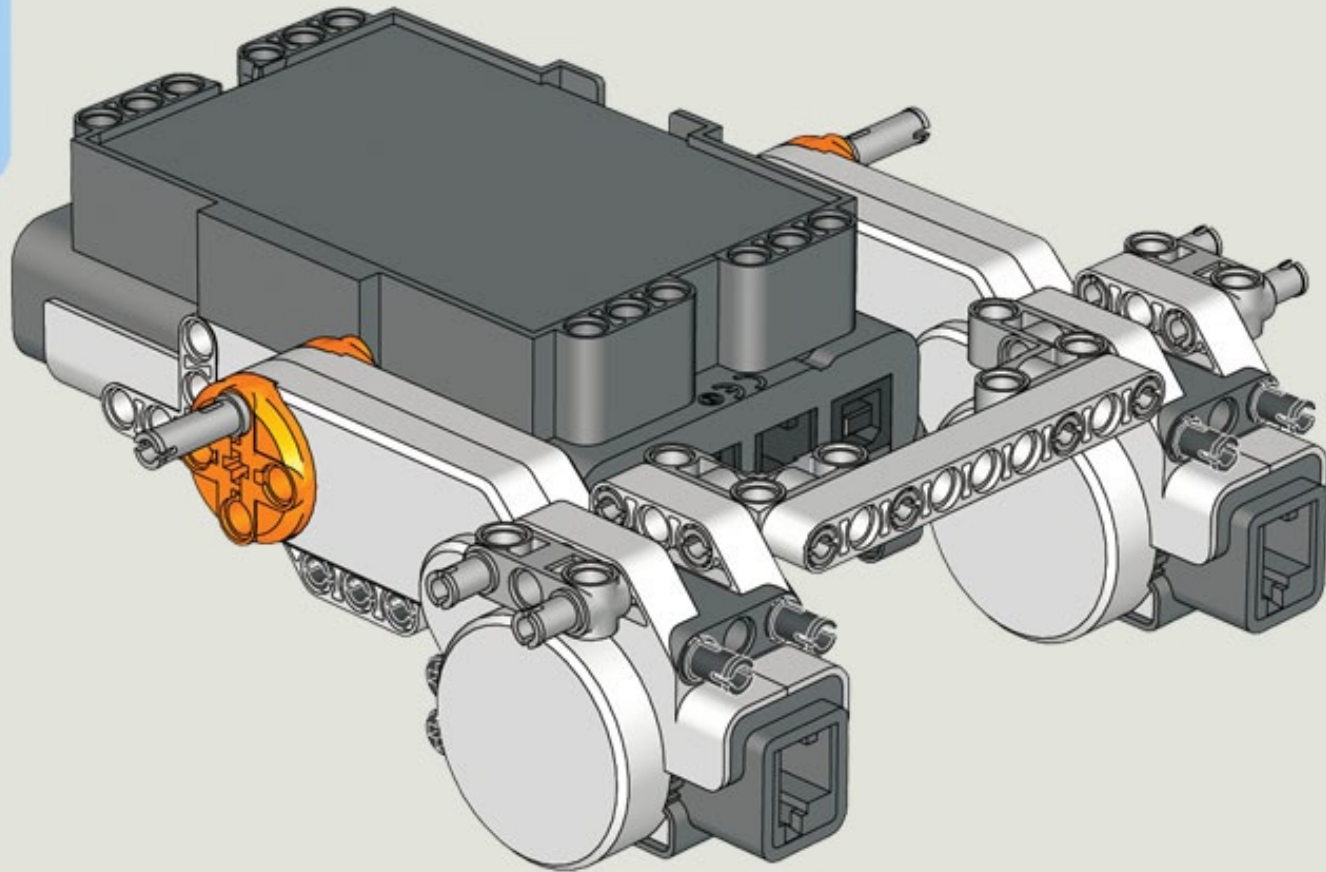
4x



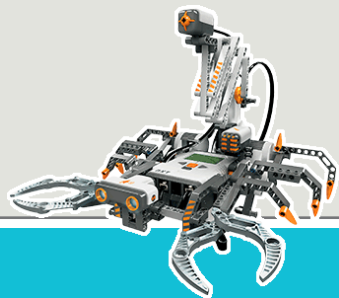
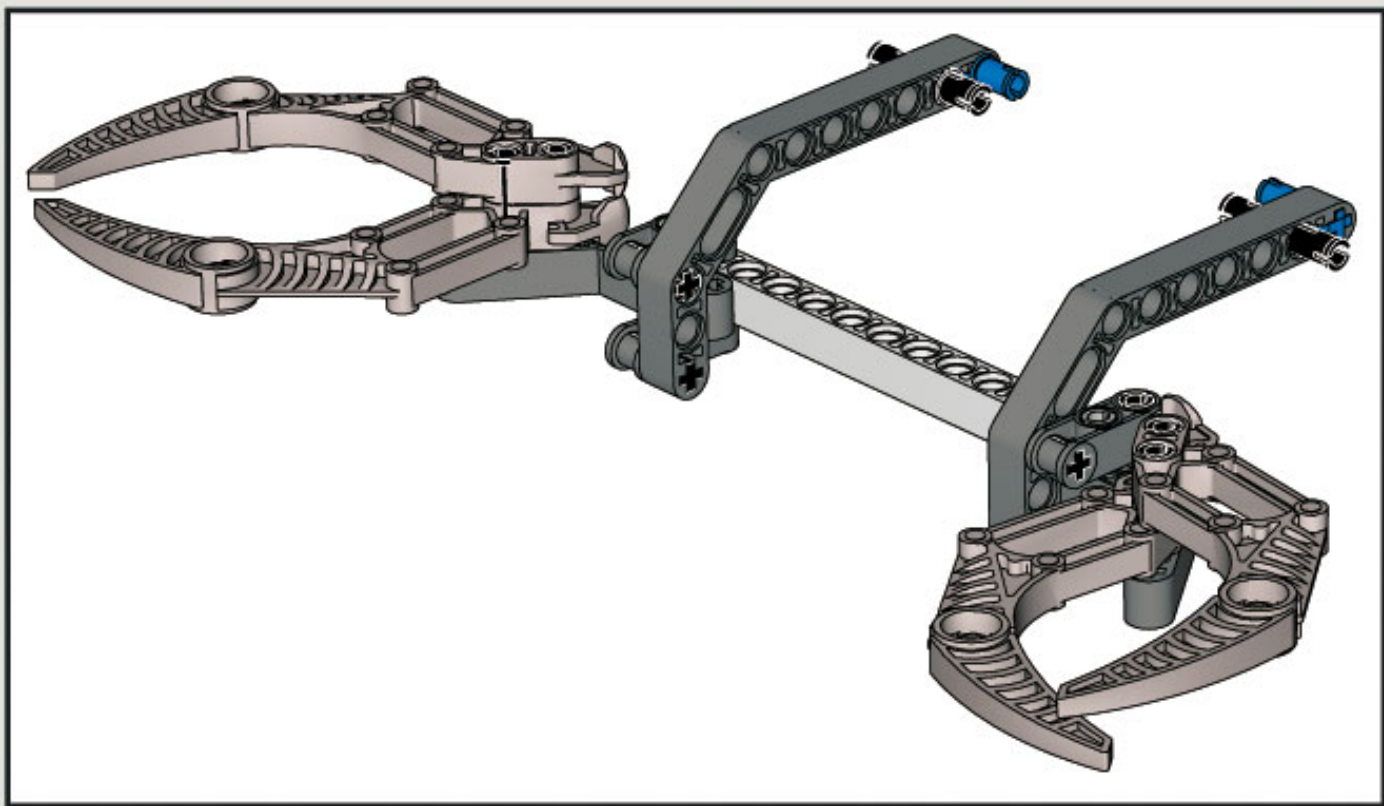
2x



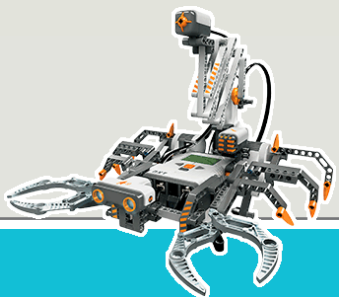
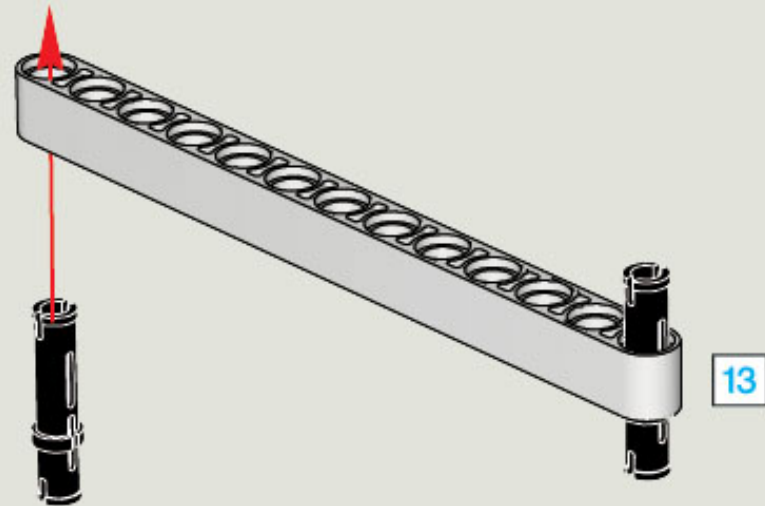
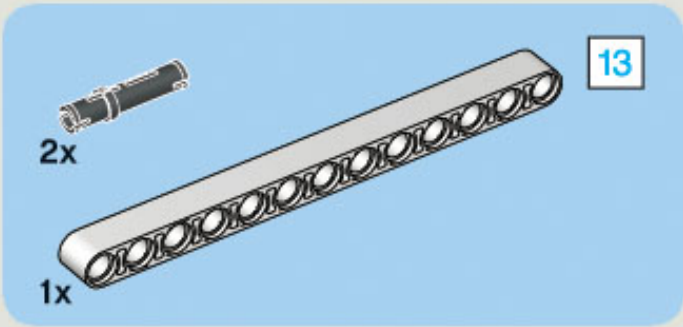
2x







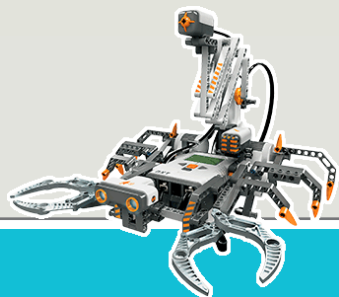
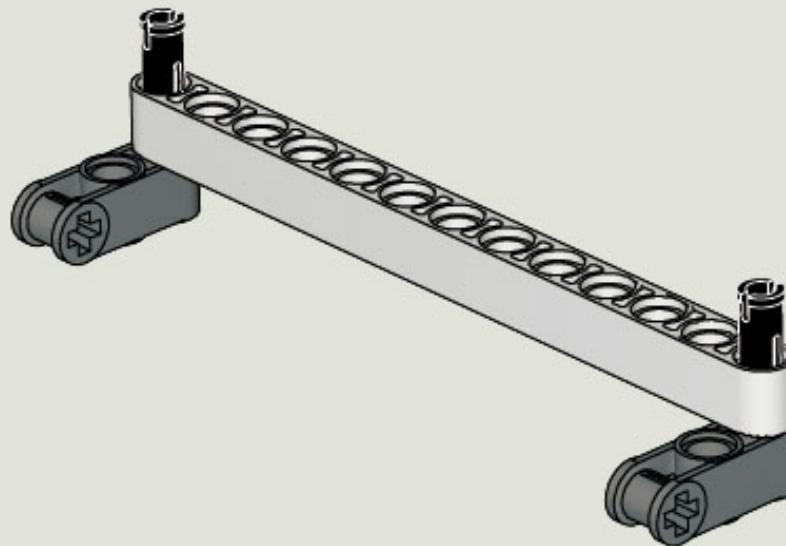
# Spike



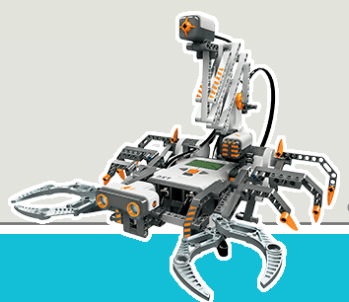
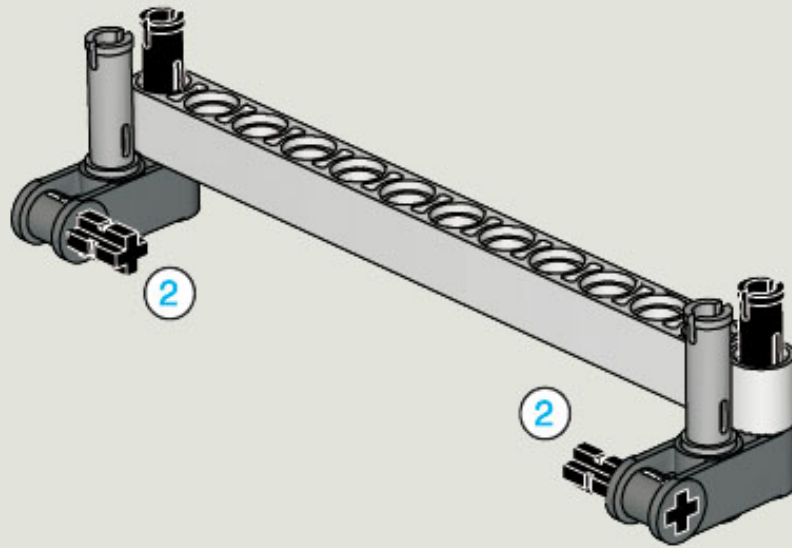
# Spike



2x



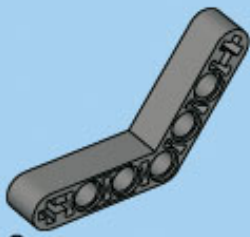
# Spike



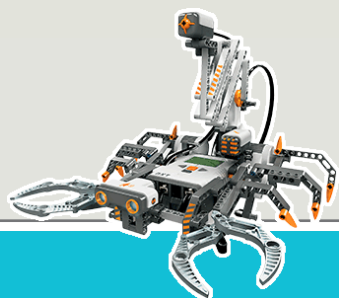
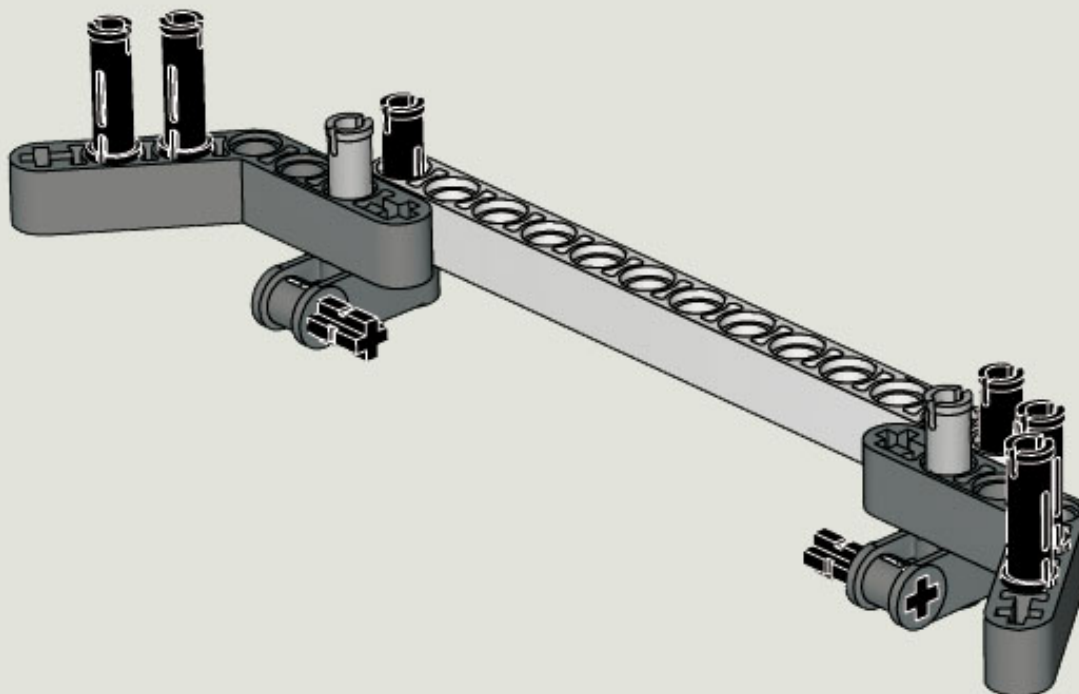
# Spike



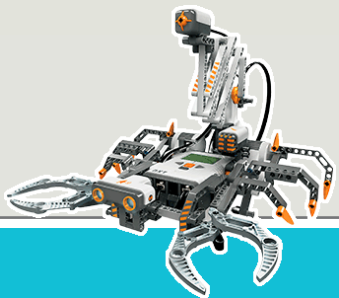
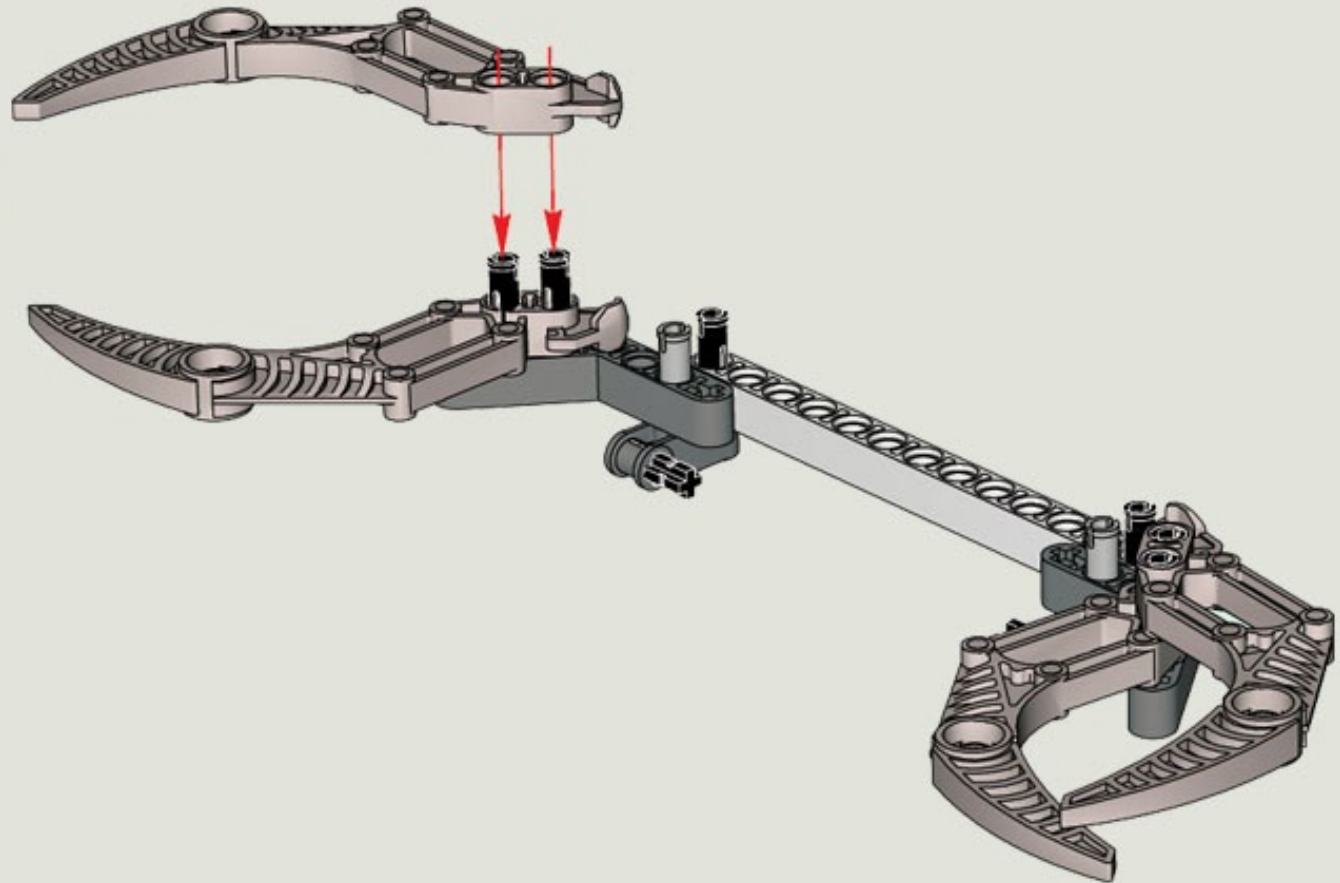
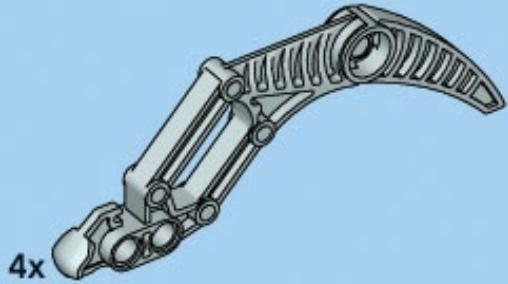
4x

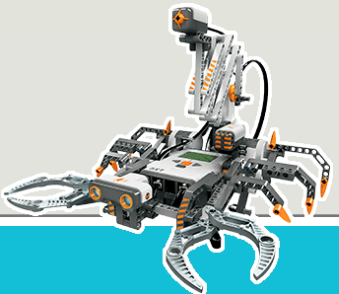
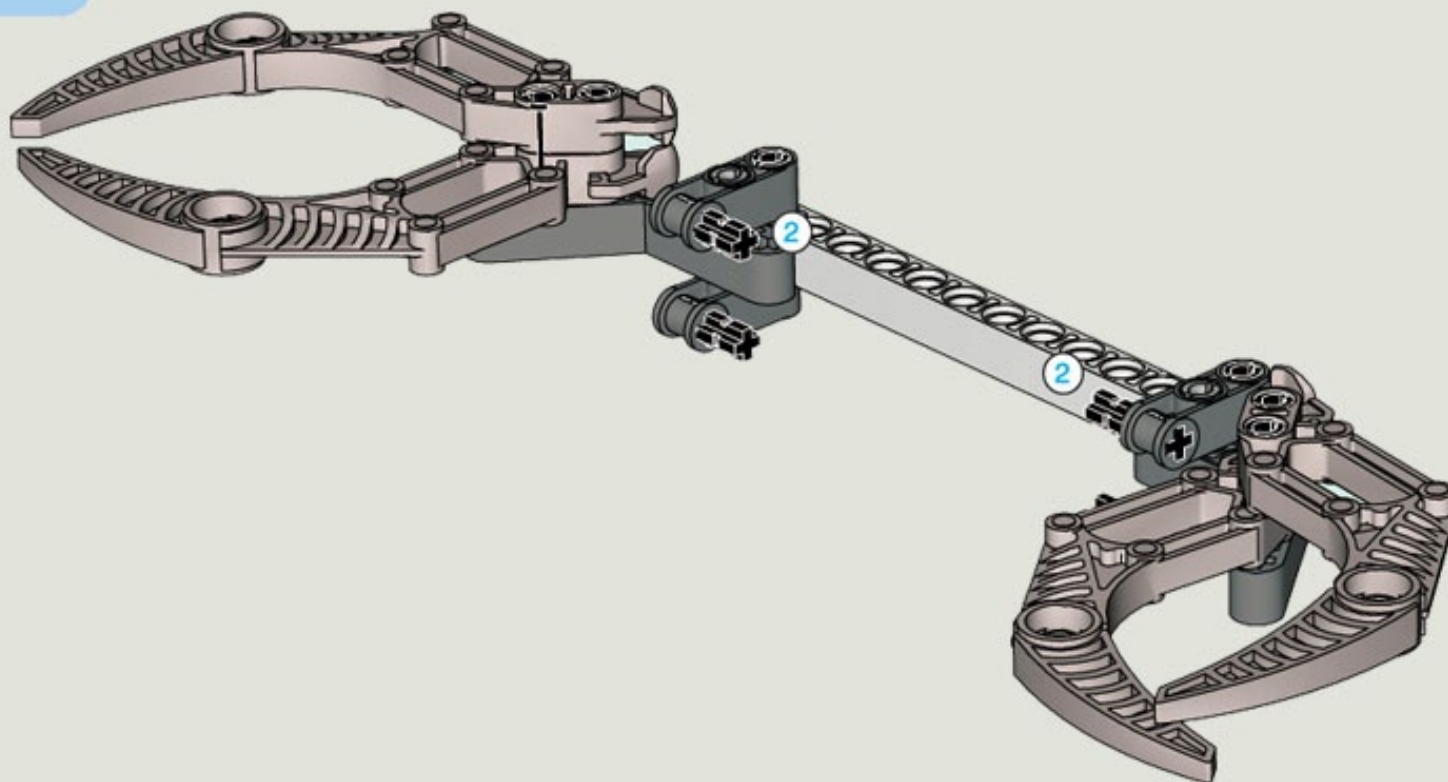


2x

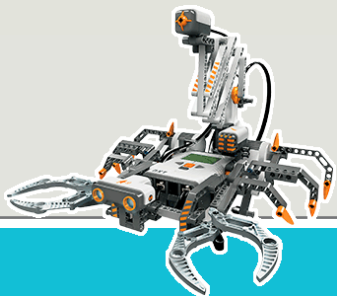
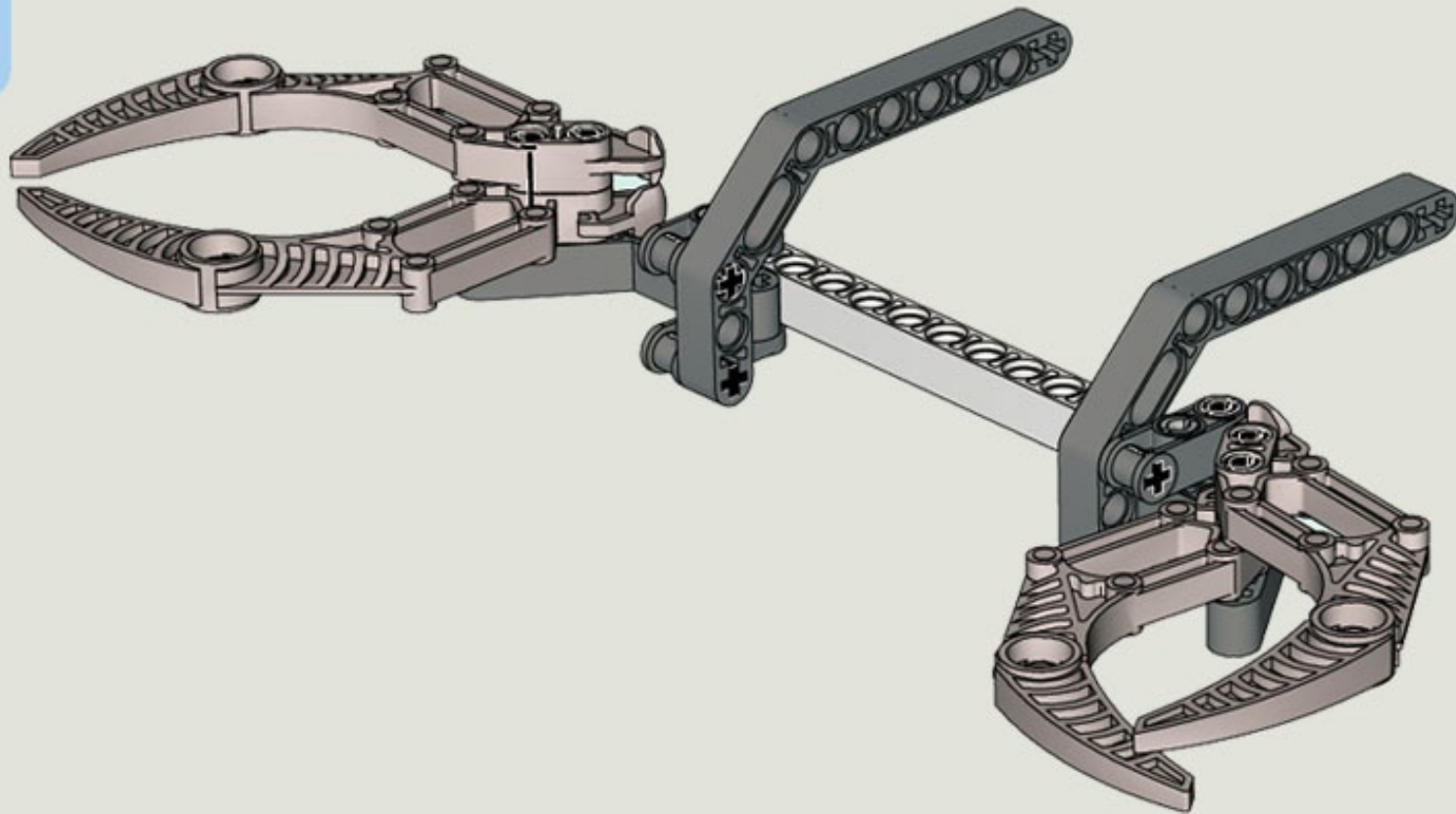
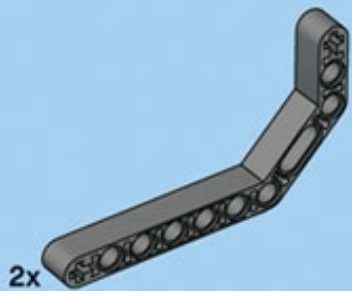


# Spike





# Spike





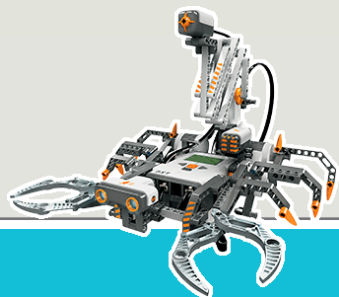
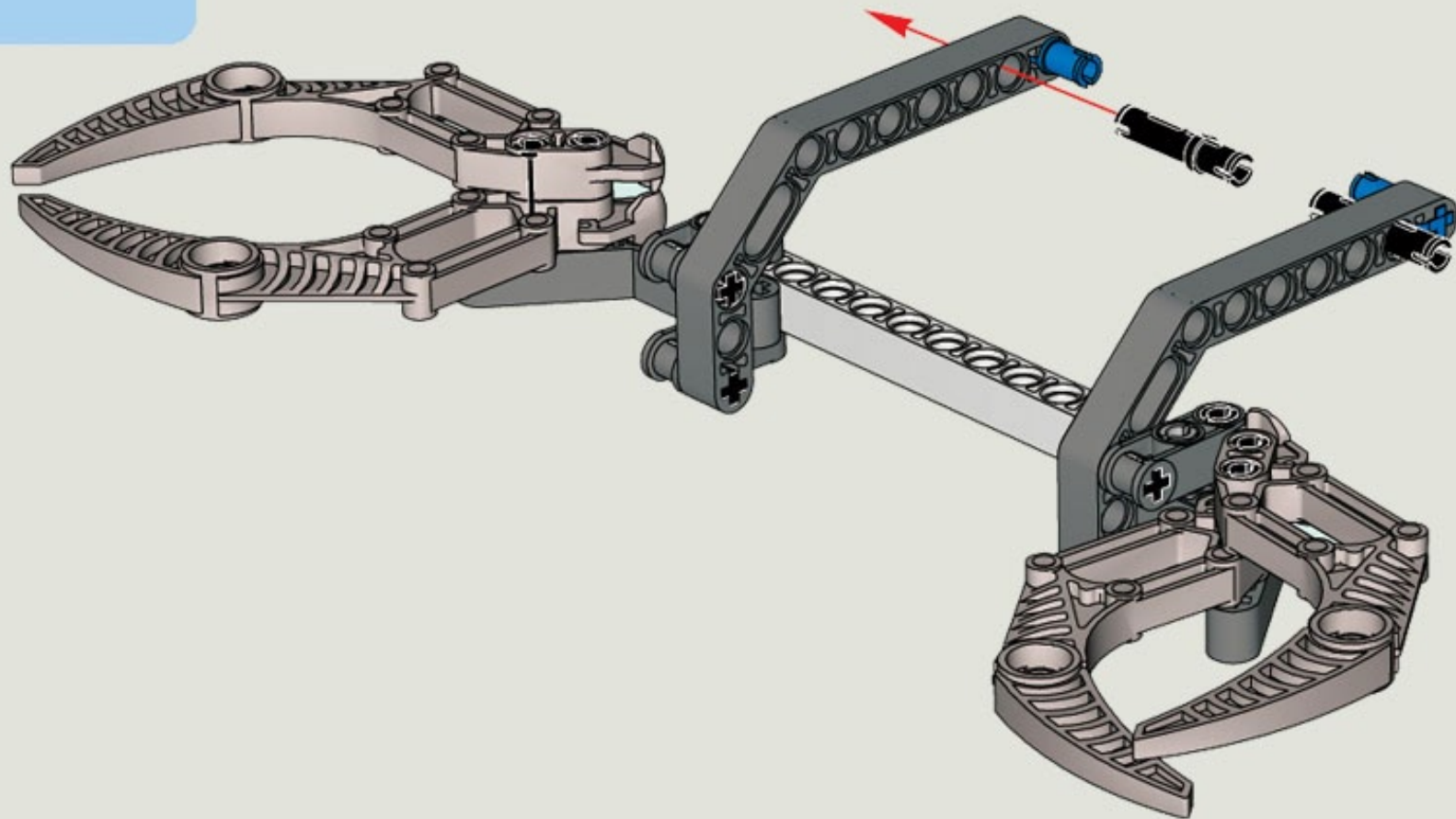
# Spike

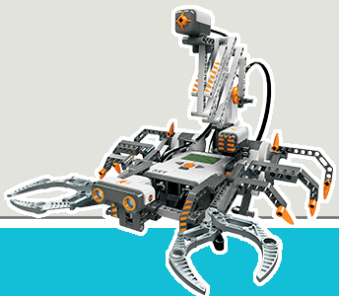
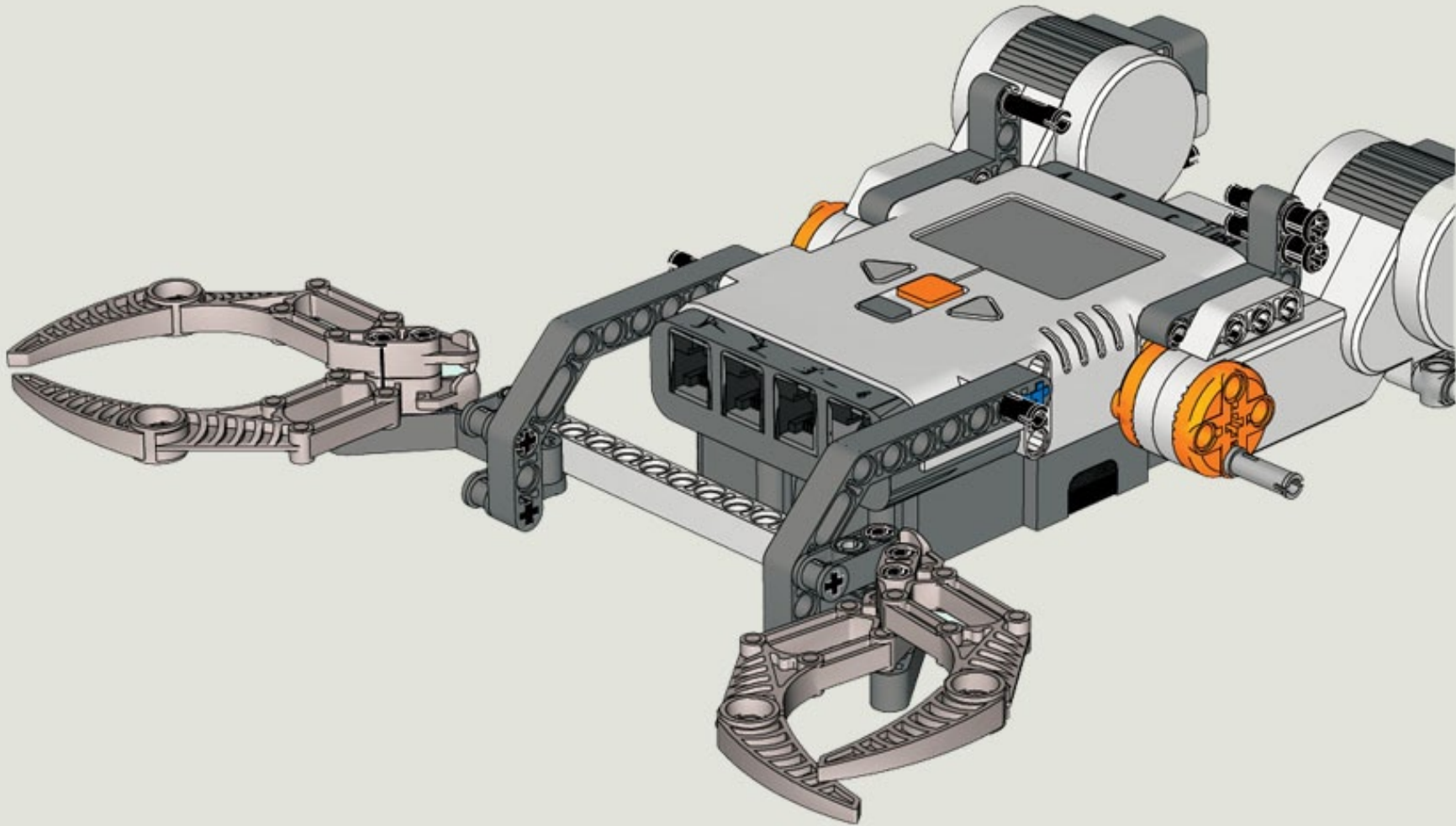


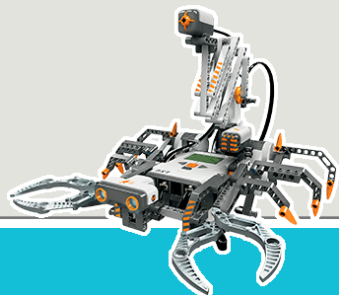
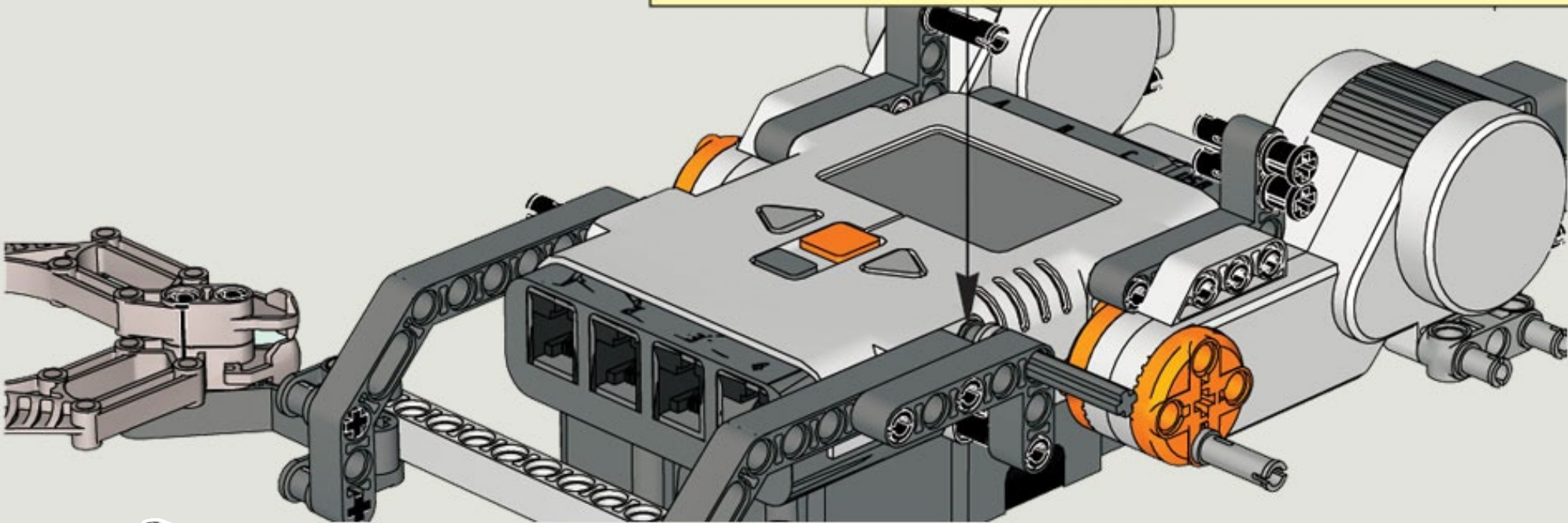
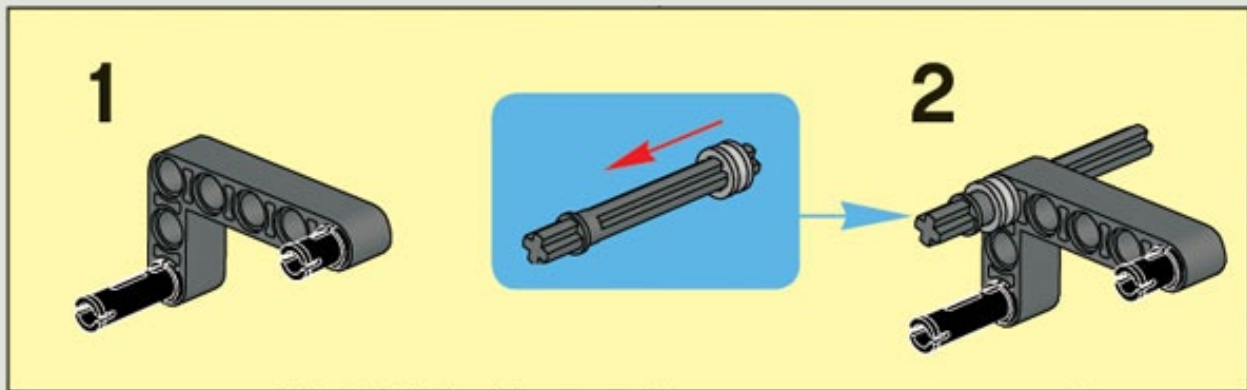
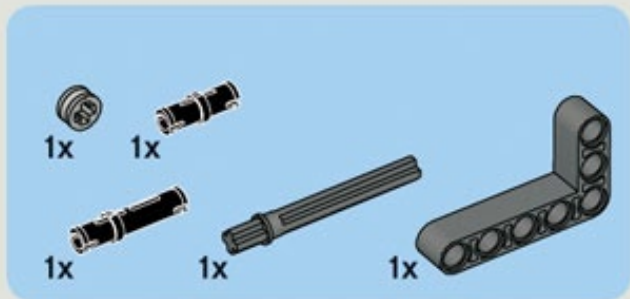
2x



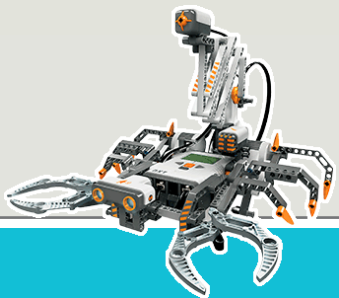
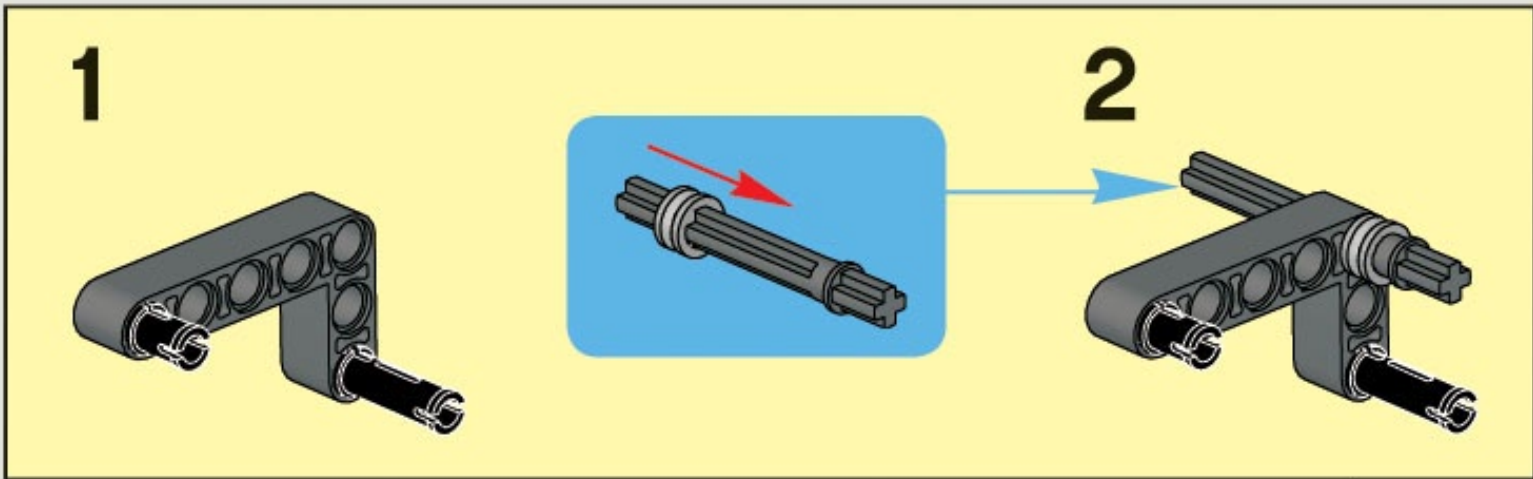
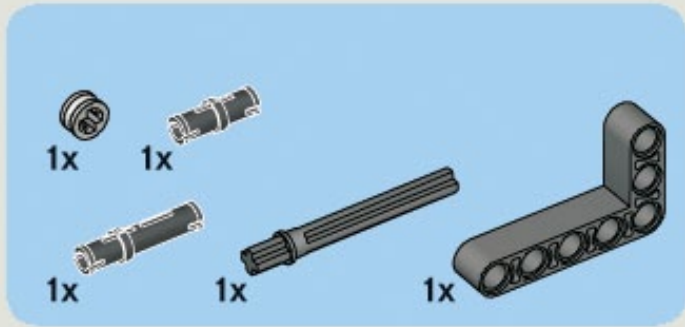
2x

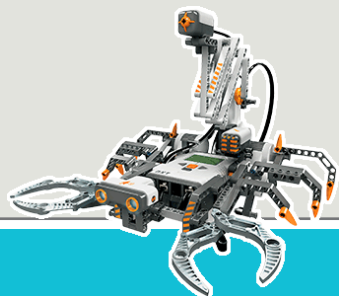
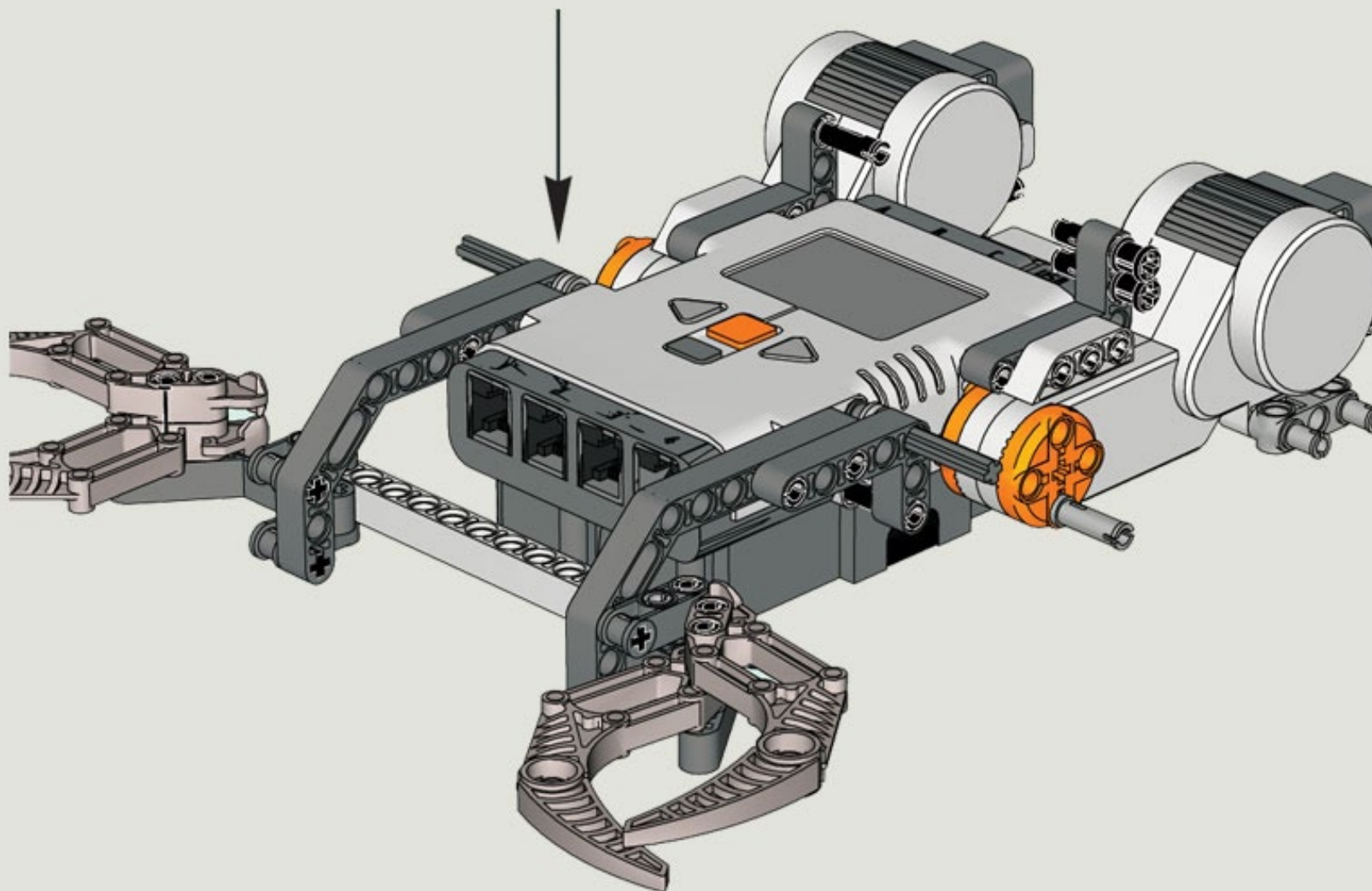




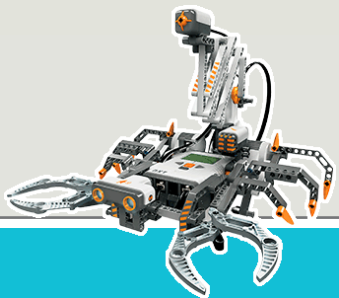
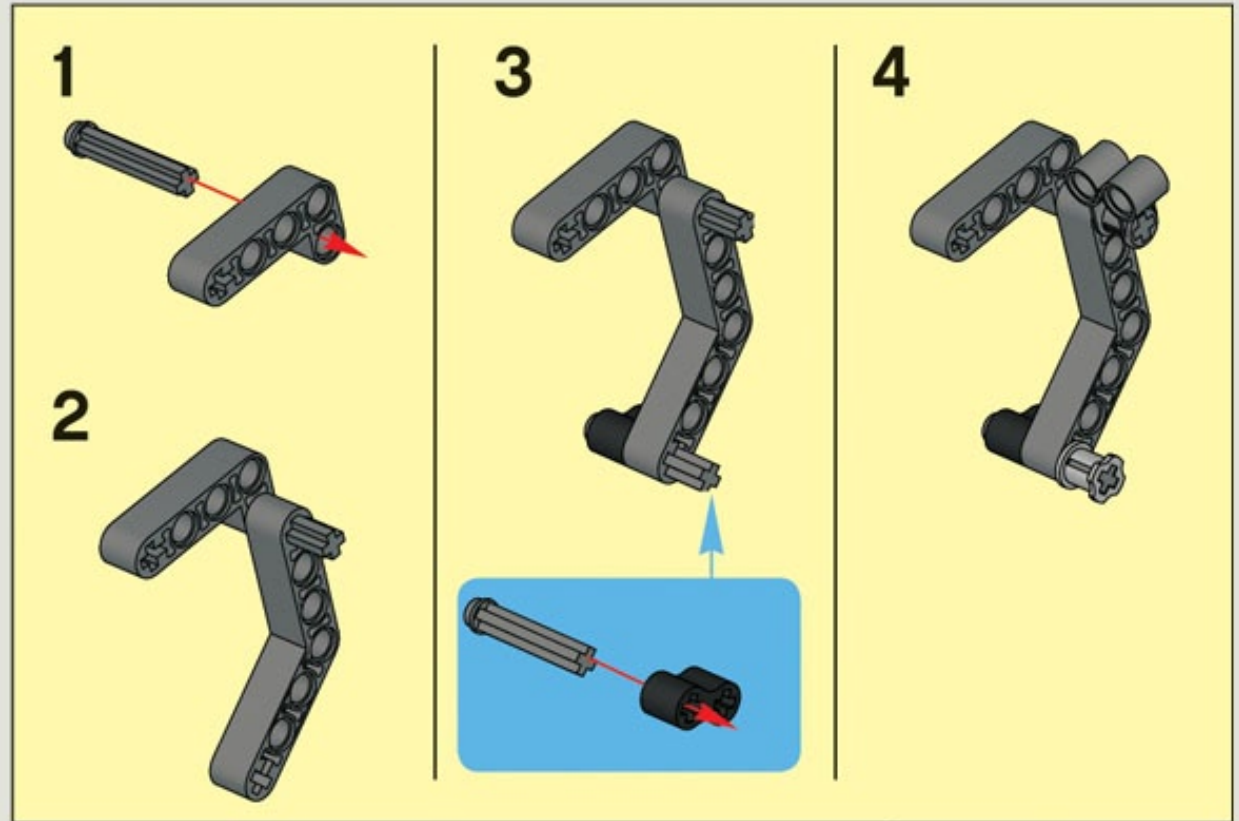
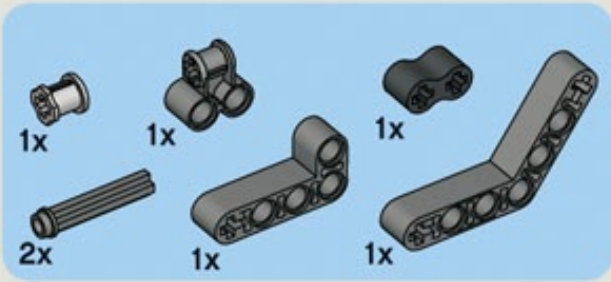


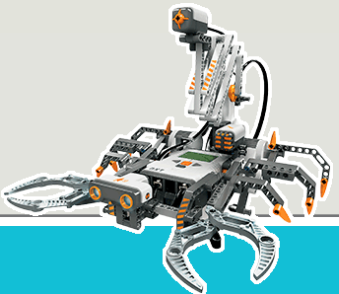
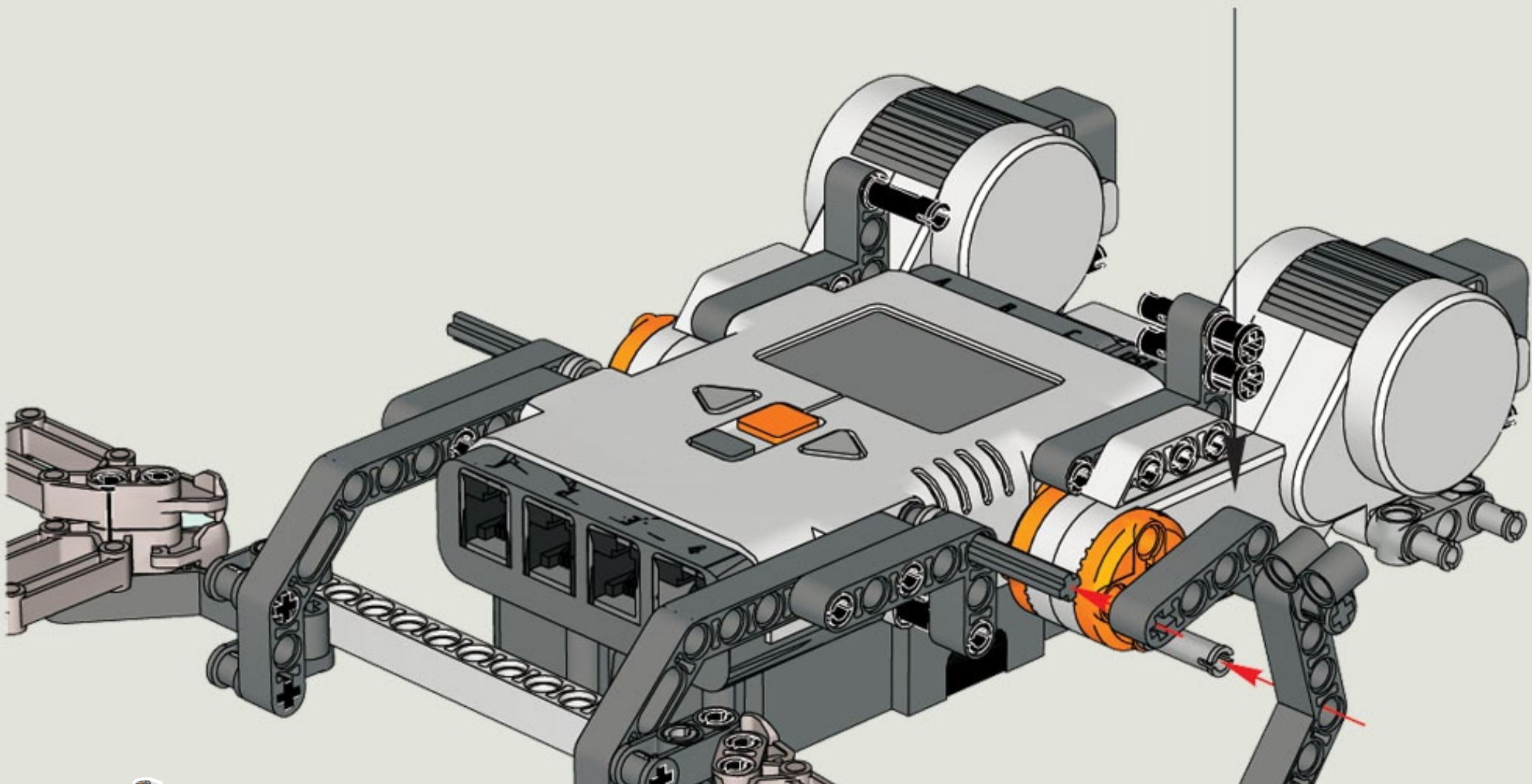
# Spike



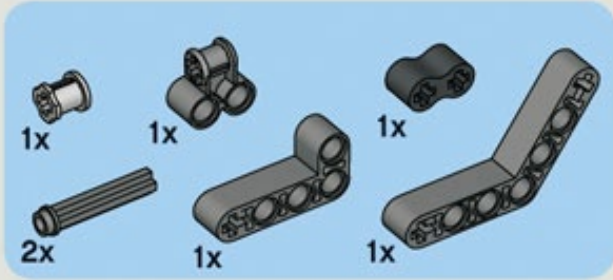


# Spike

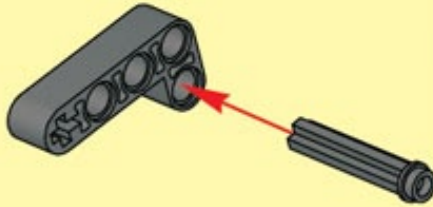




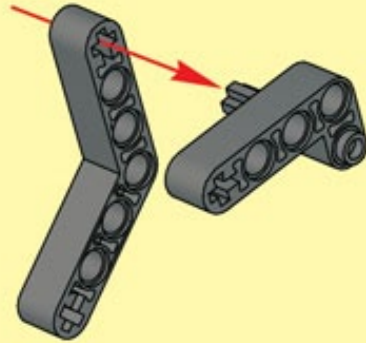
# Spike



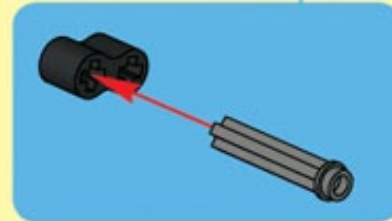
1



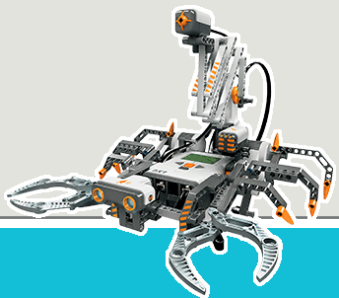
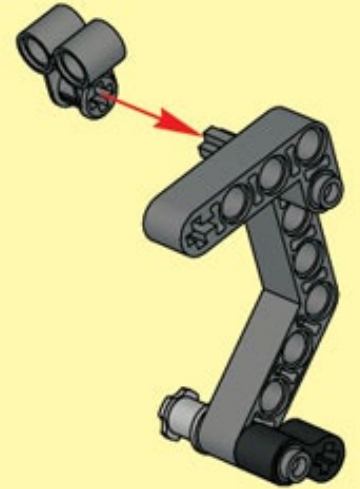
2



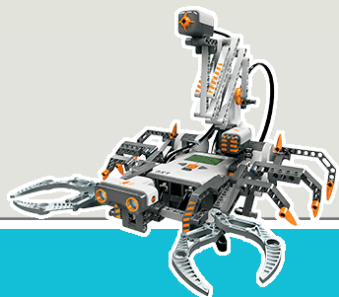
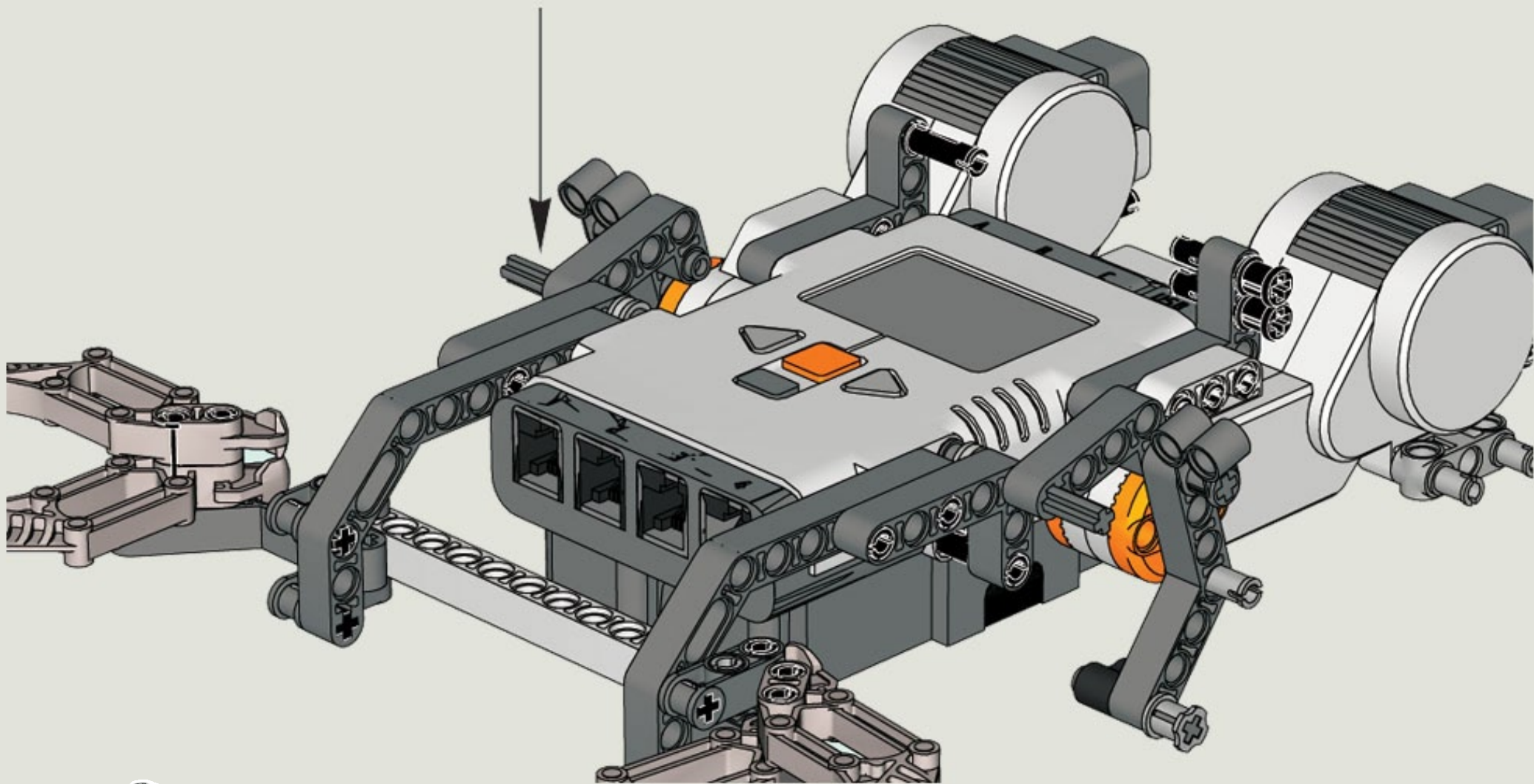
3



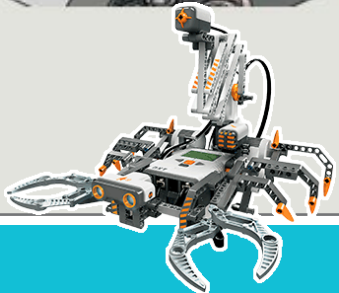
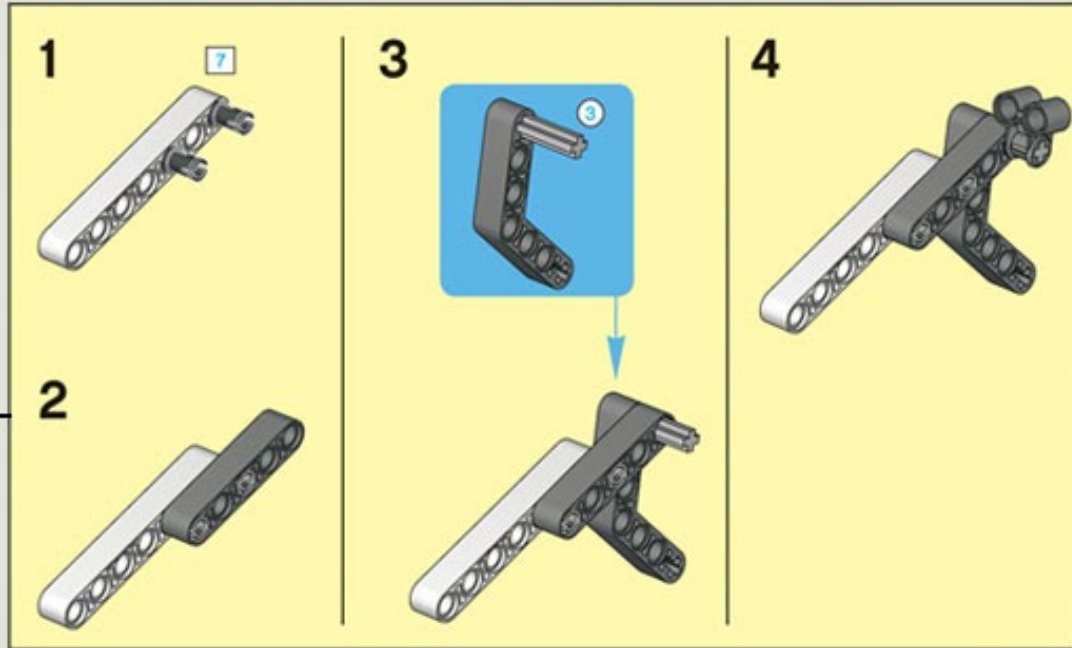
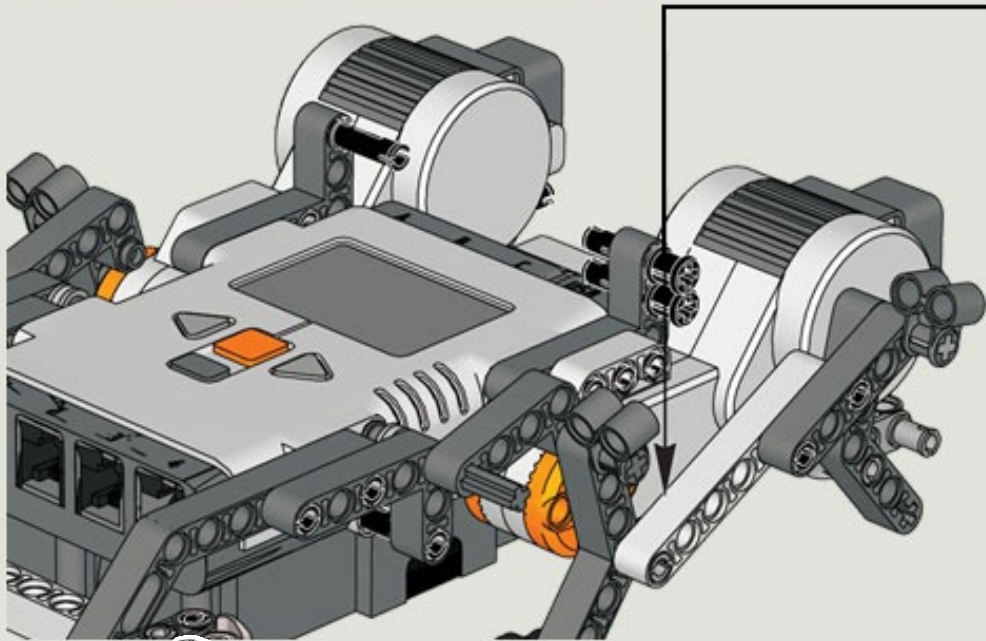
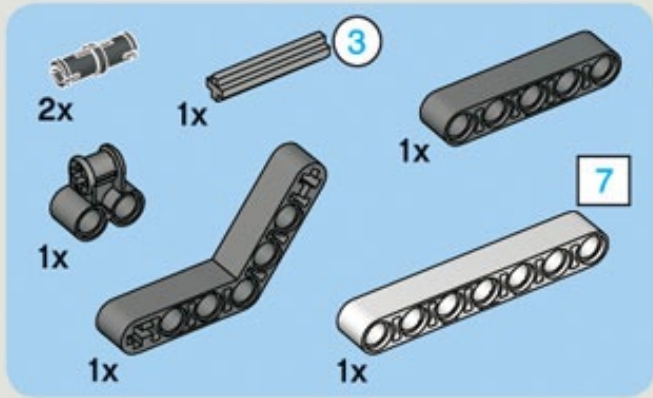
4

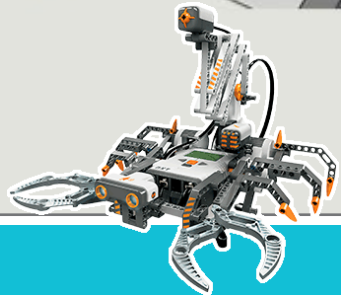
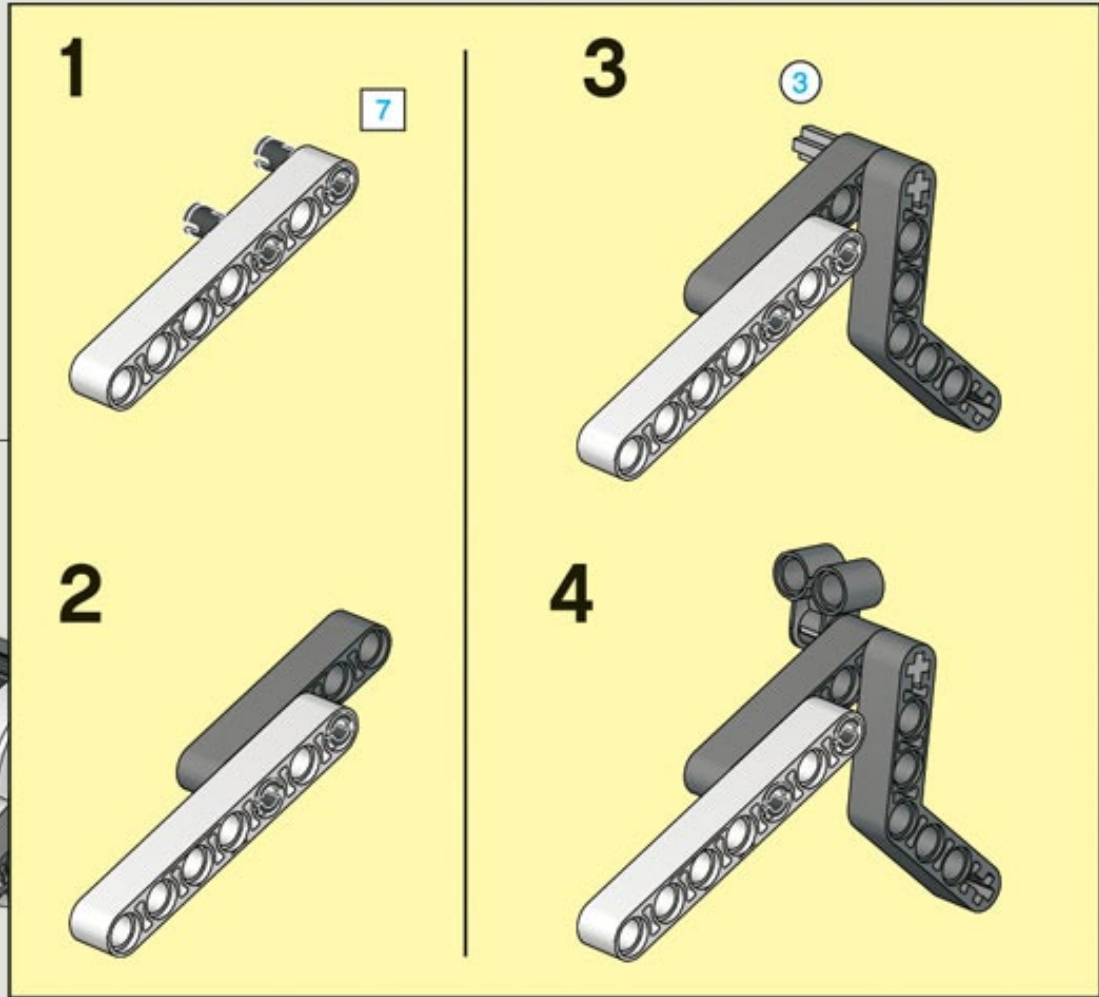
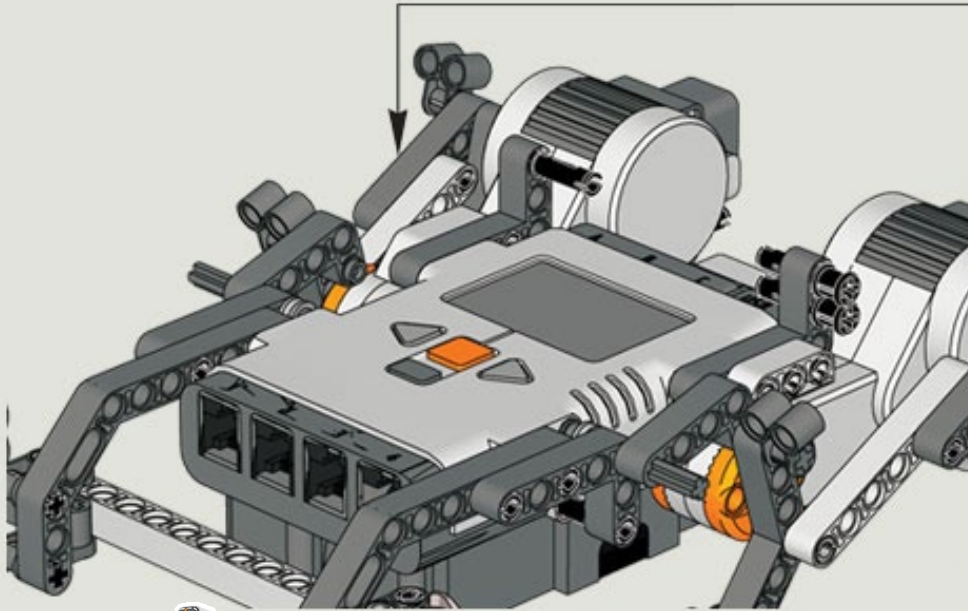
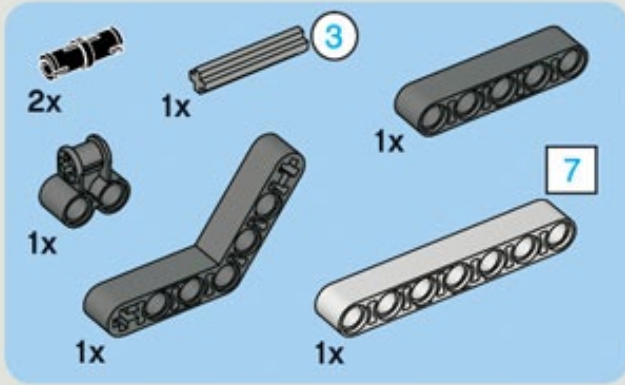


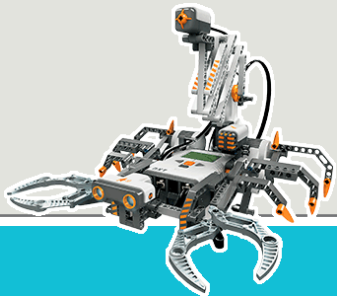
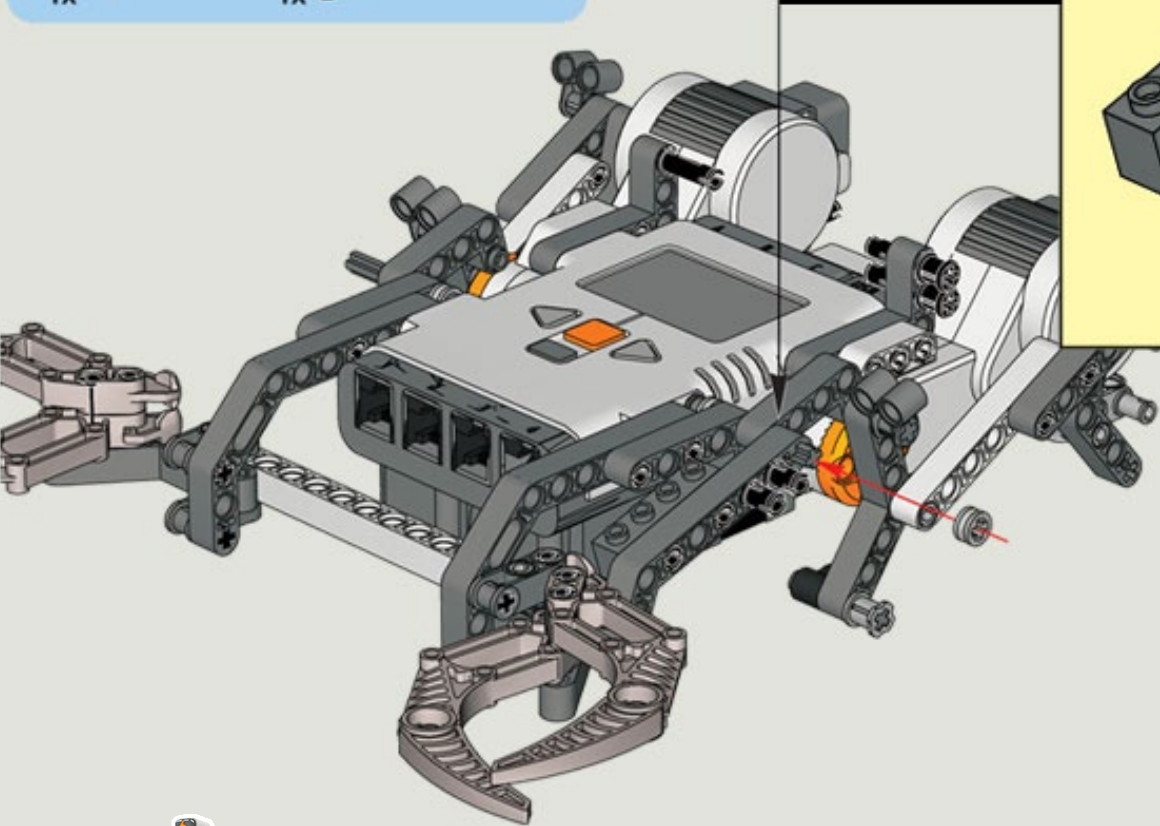
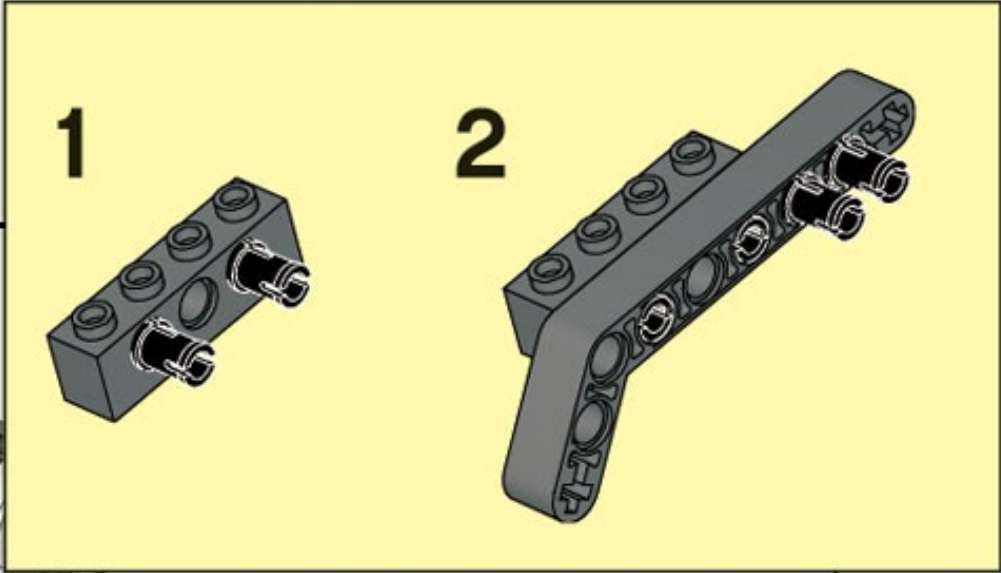
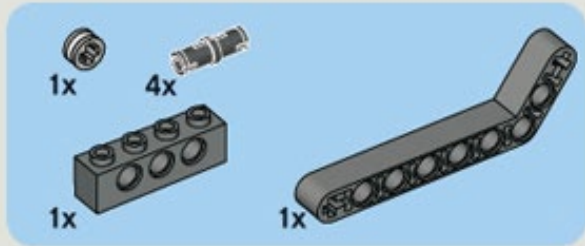


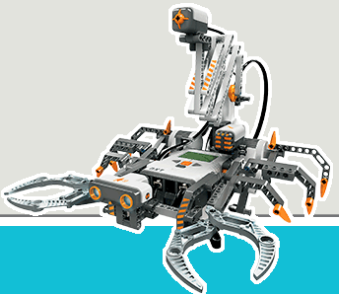
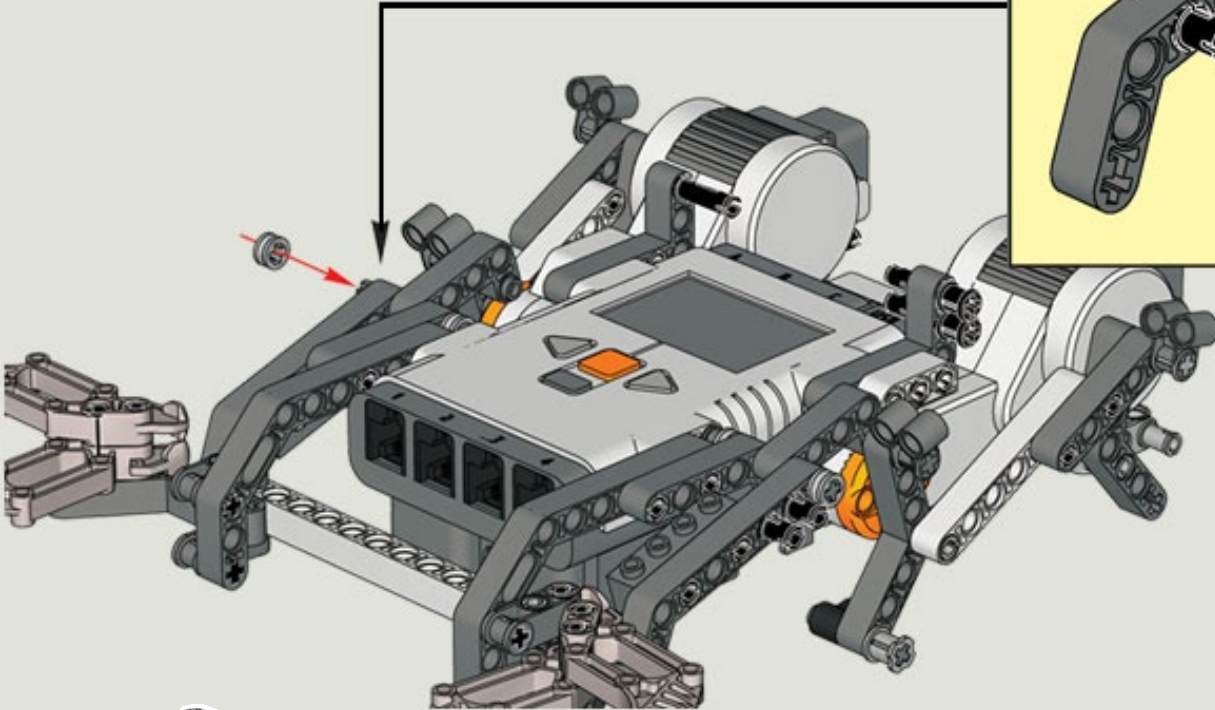
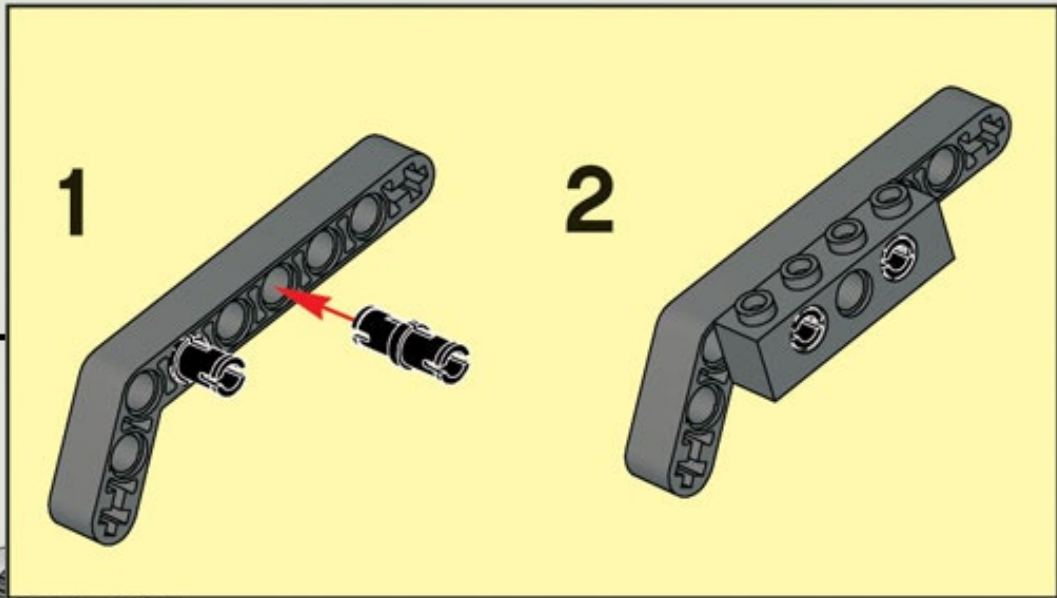
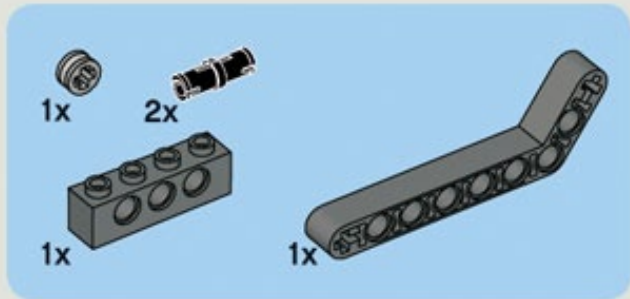


# Spike

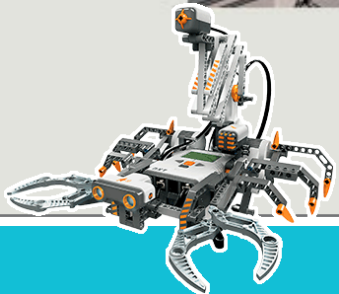
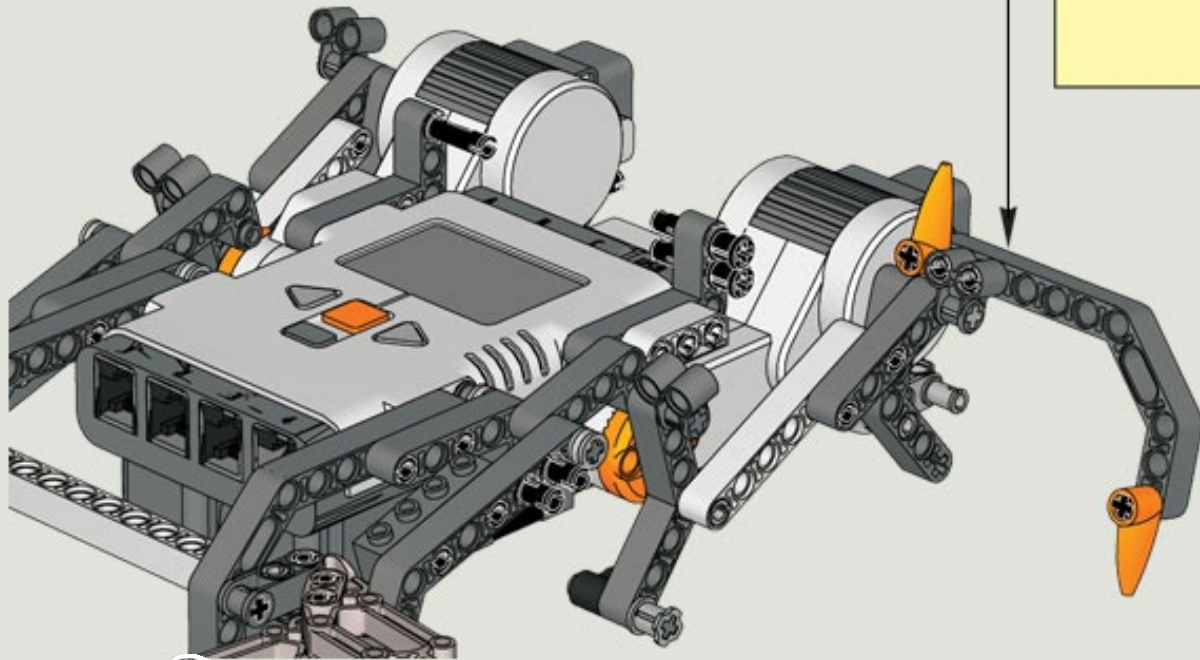
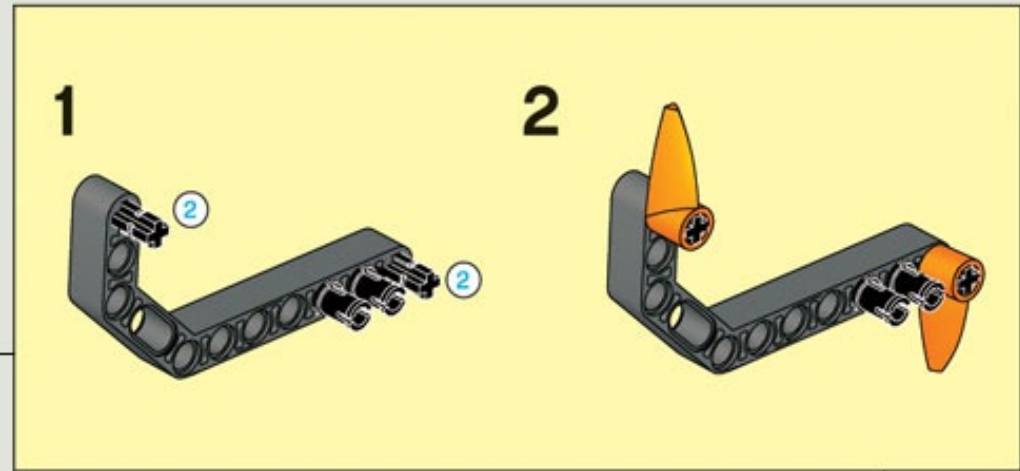
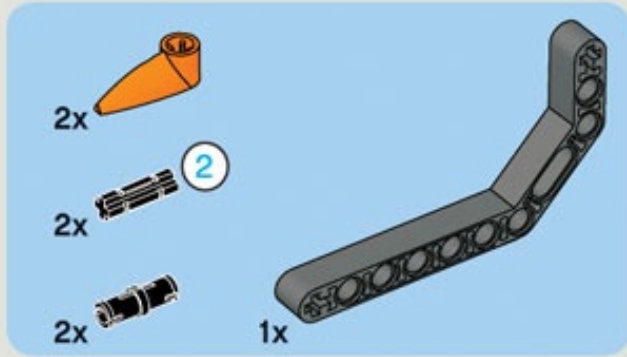


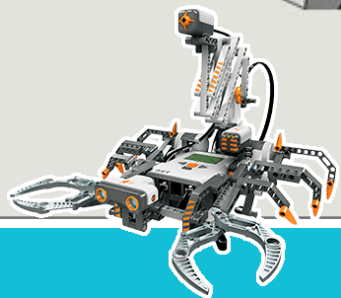
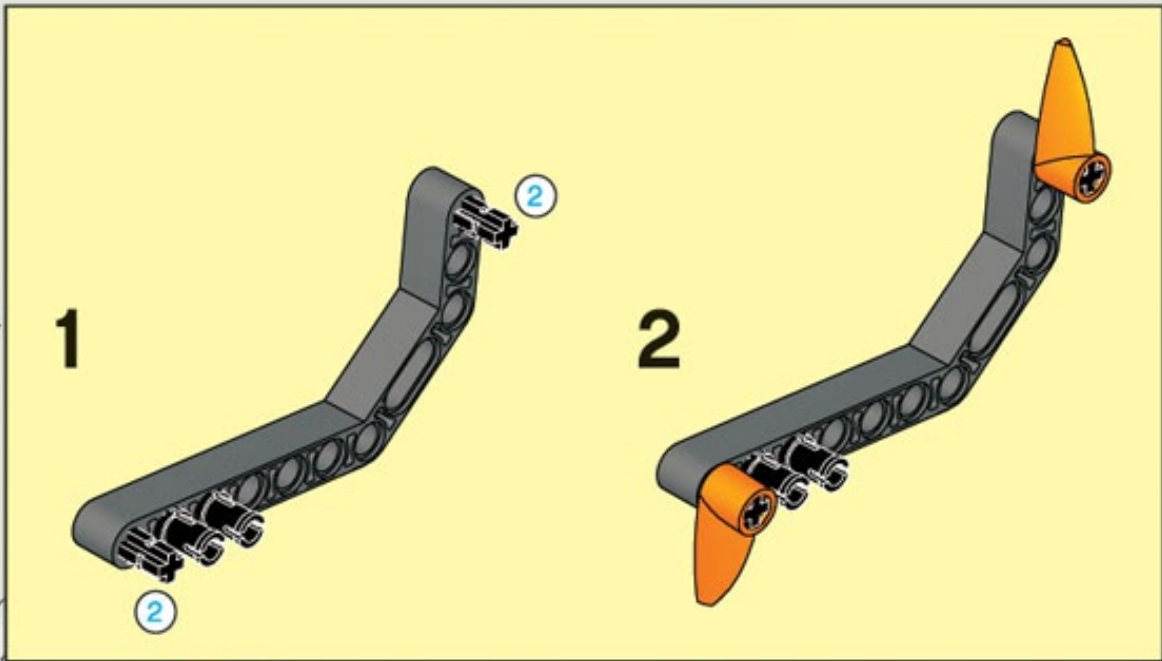
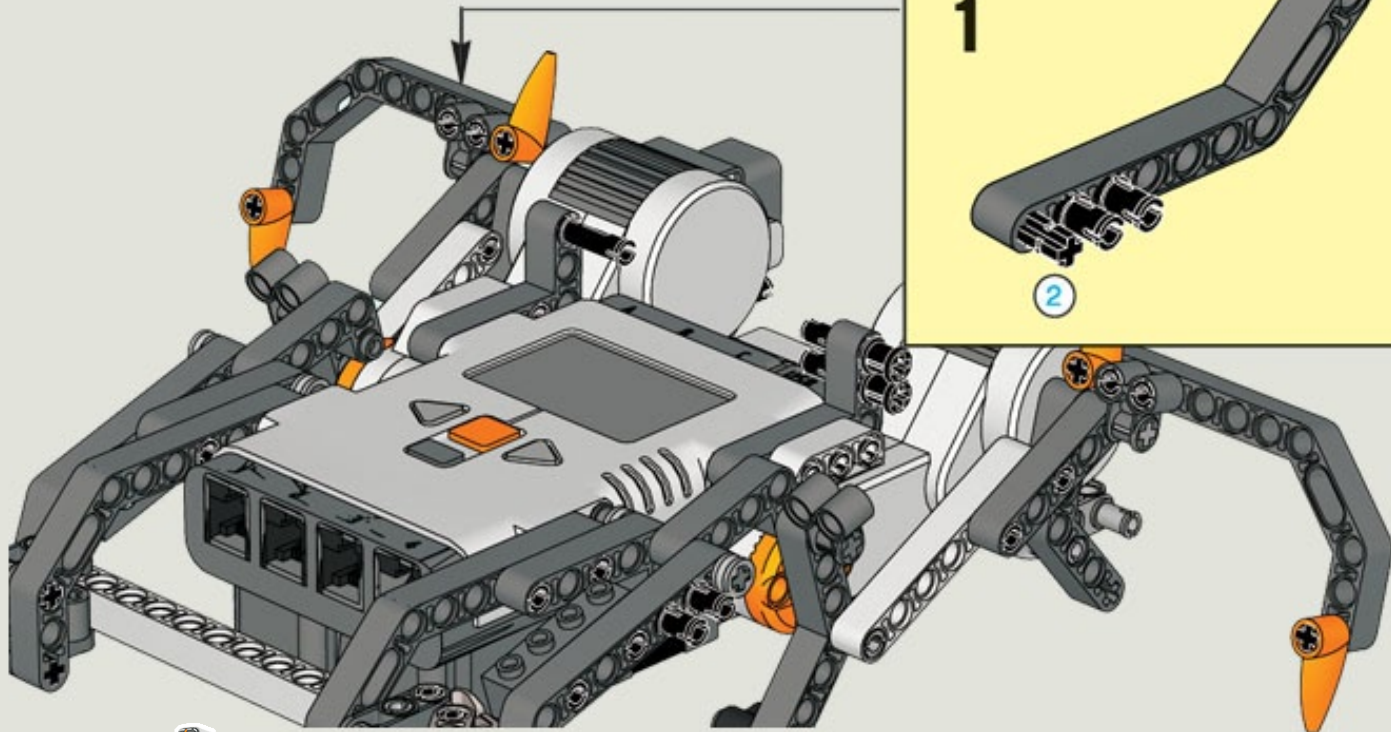
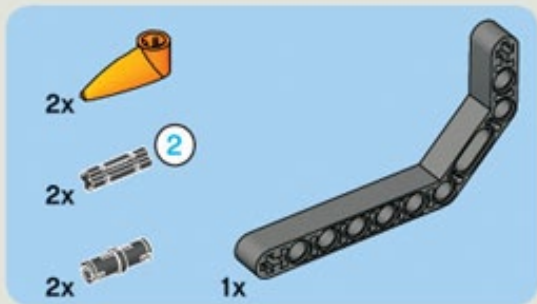


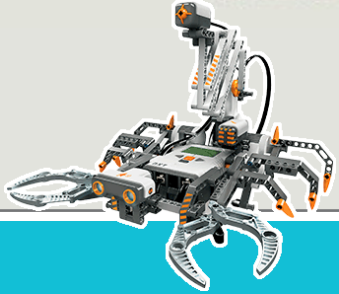
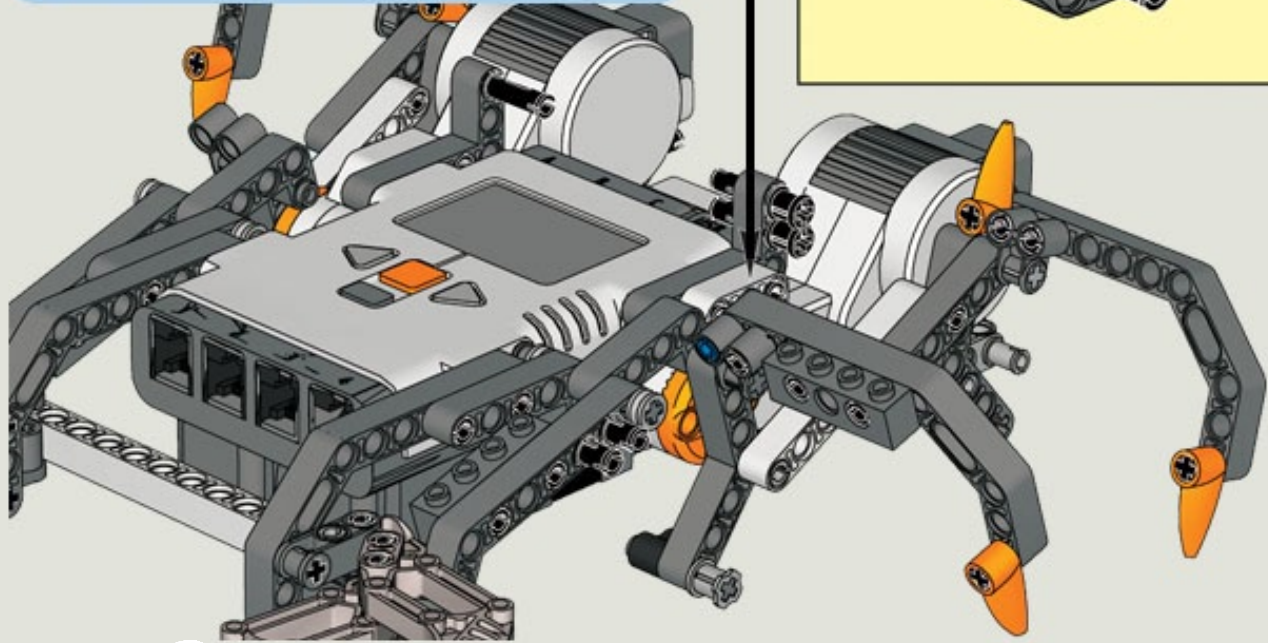
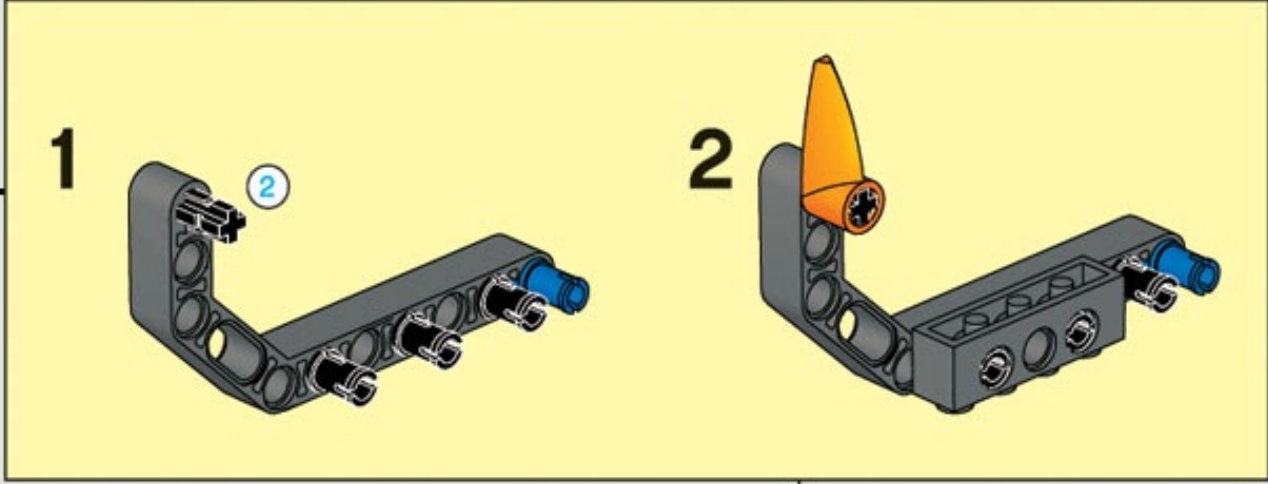
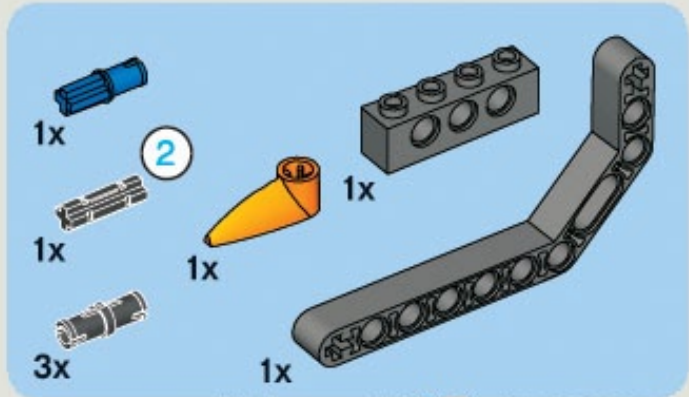




# Spike

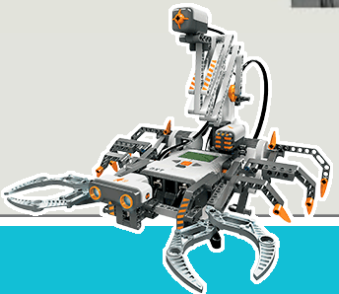
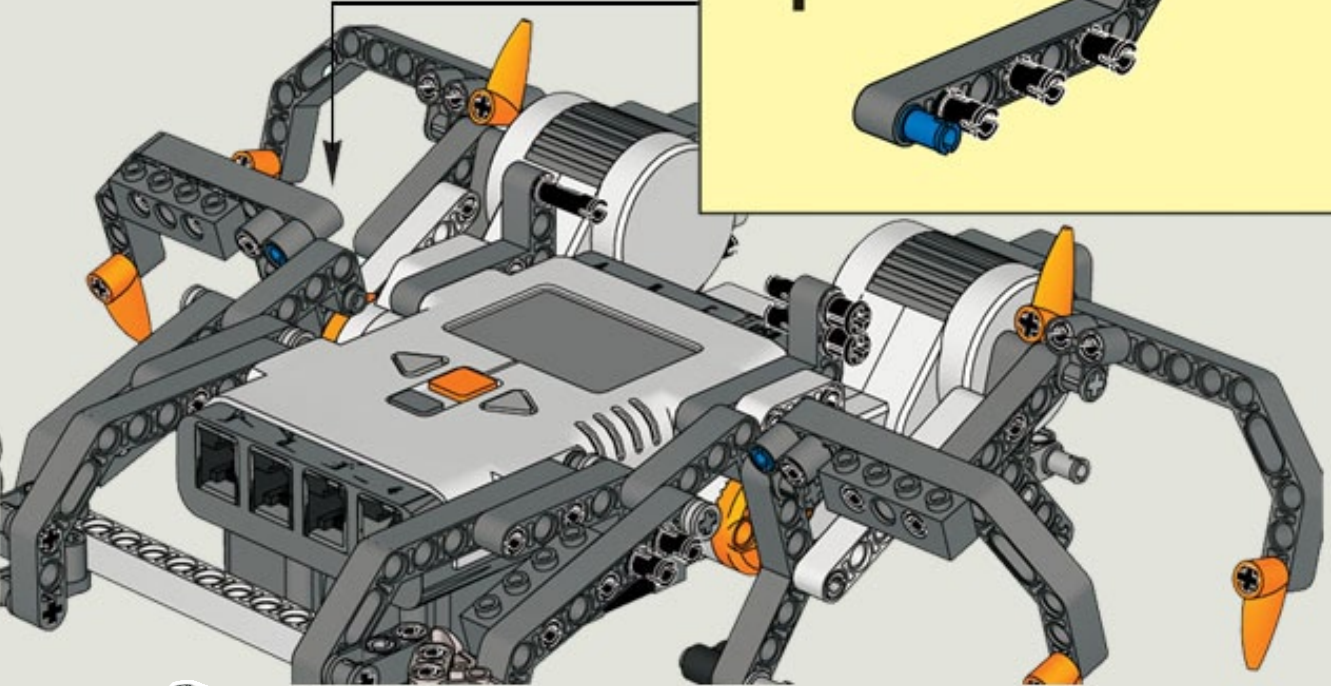
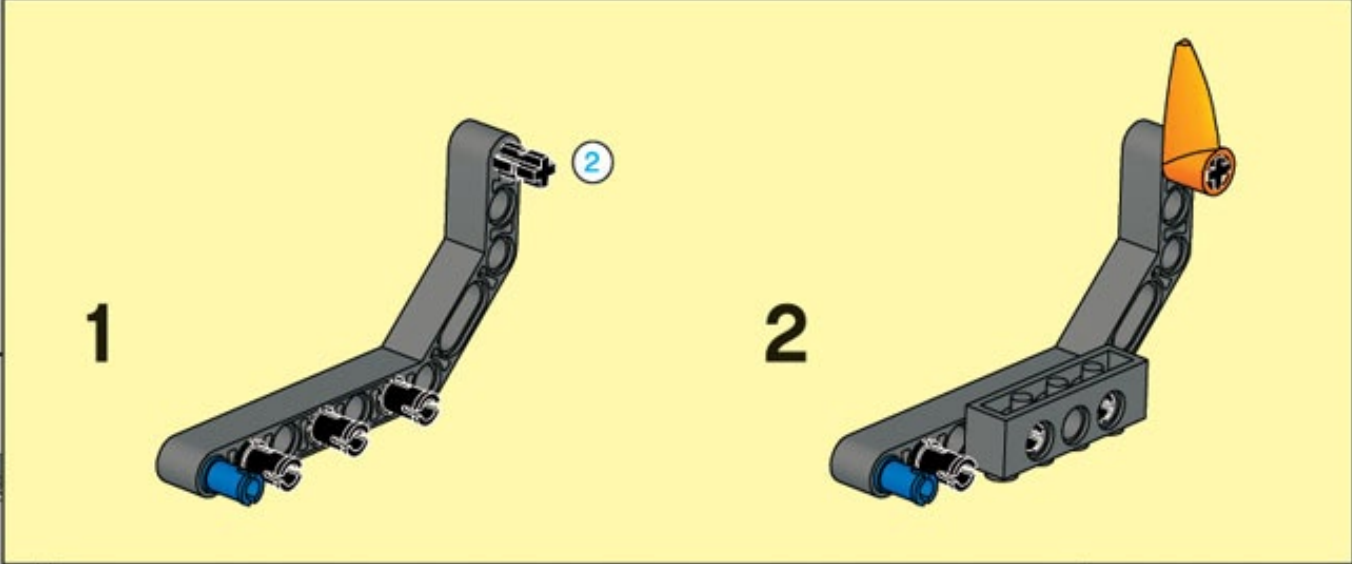
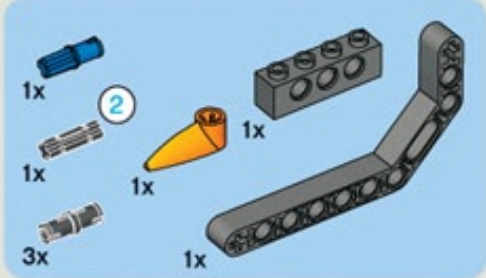


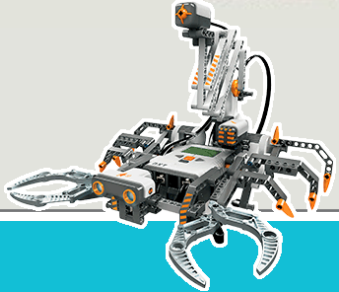
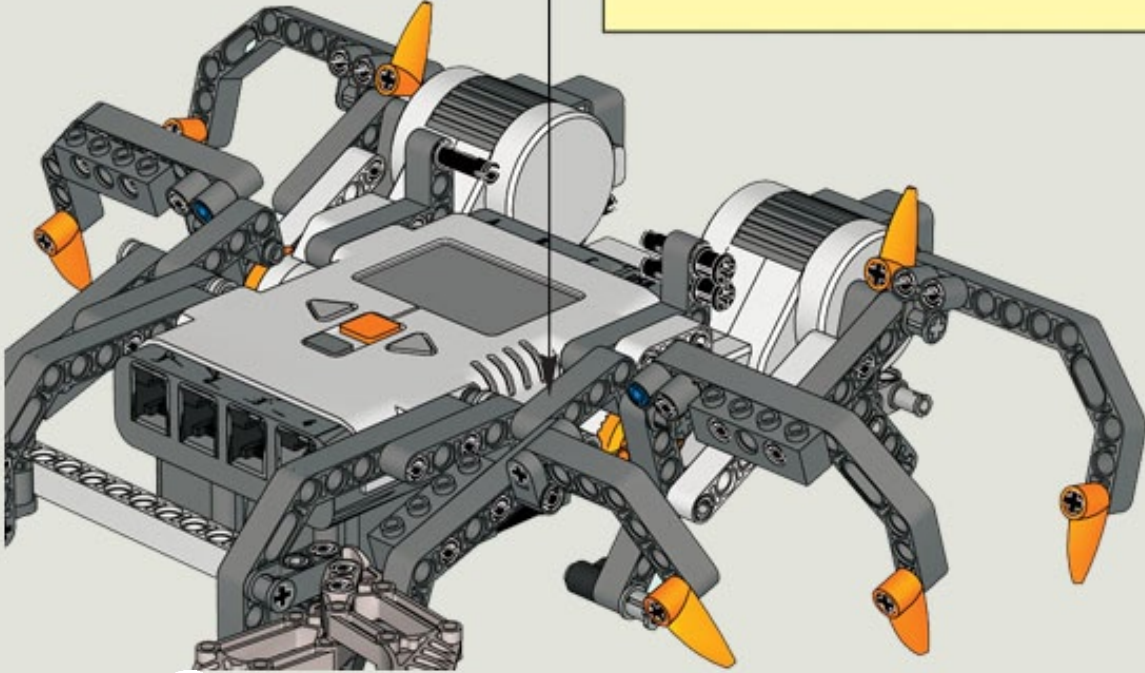
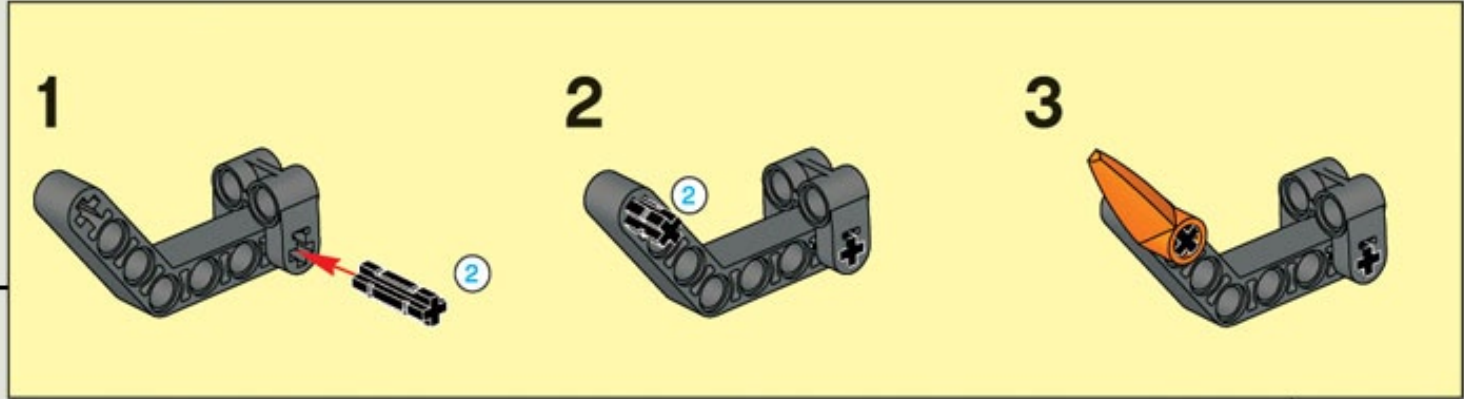
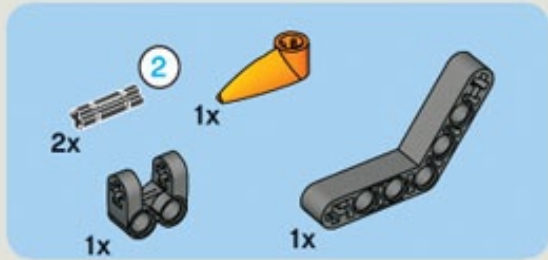


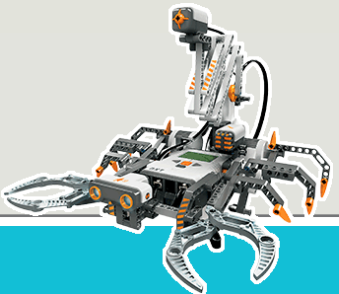
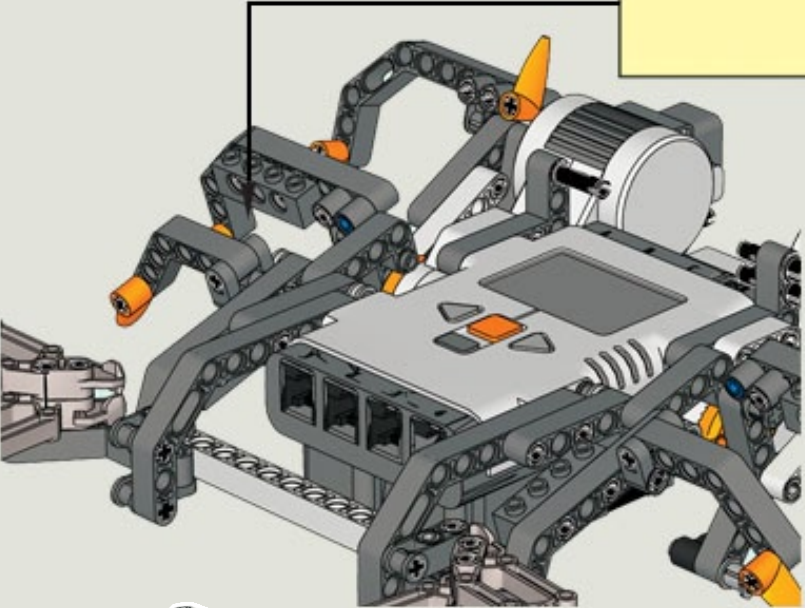
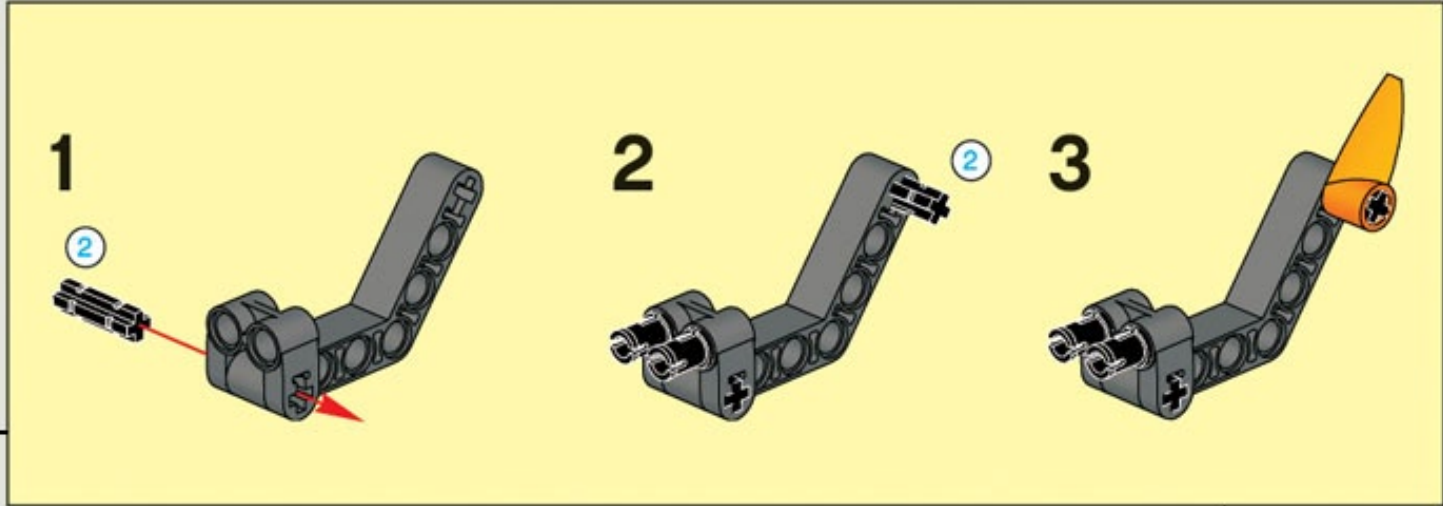
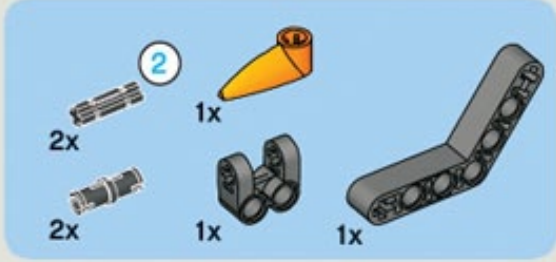




# Spike





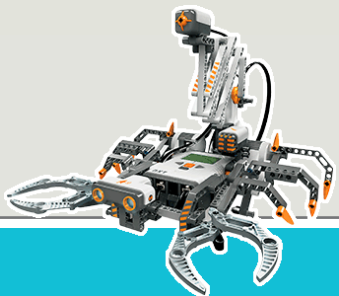
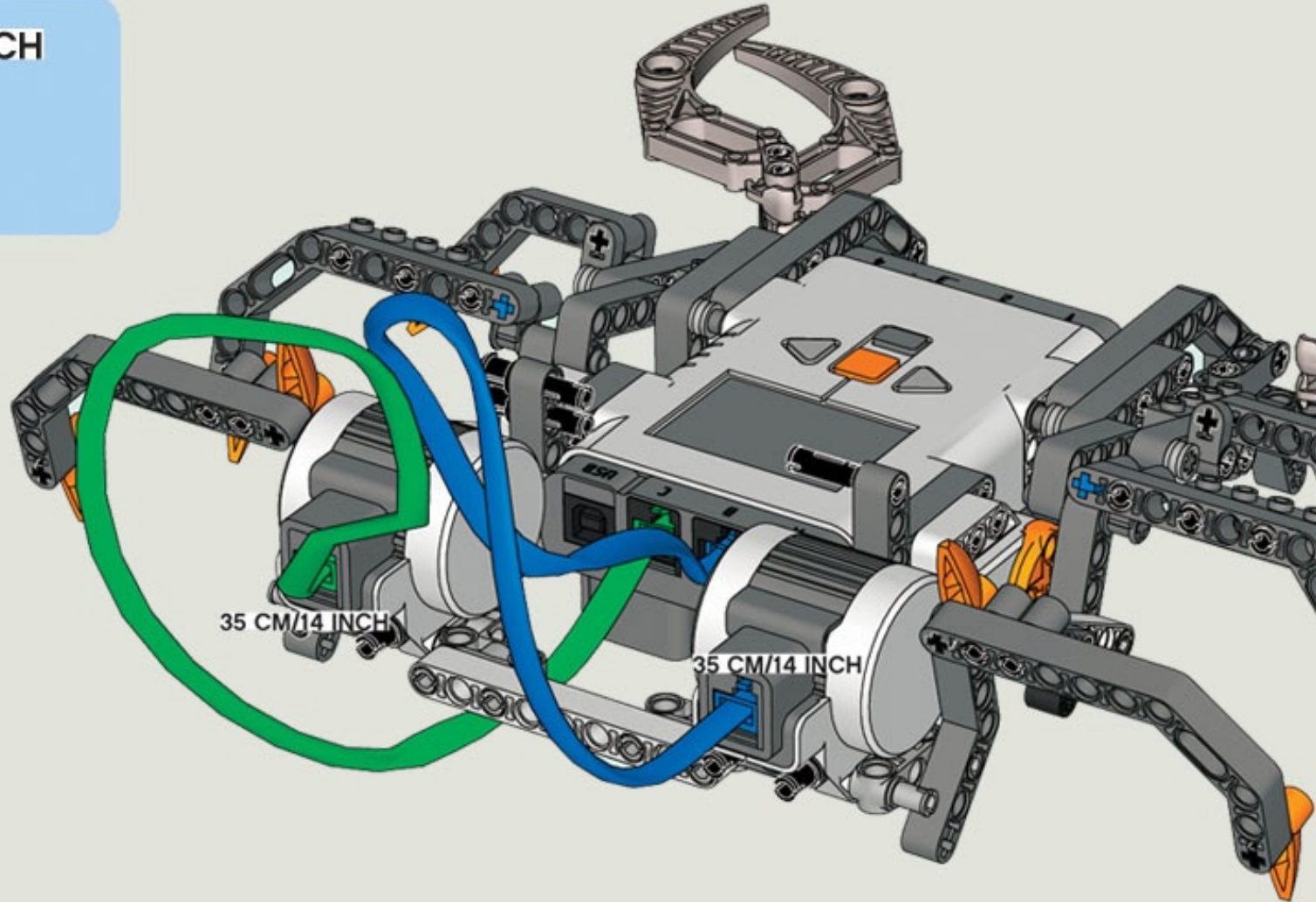


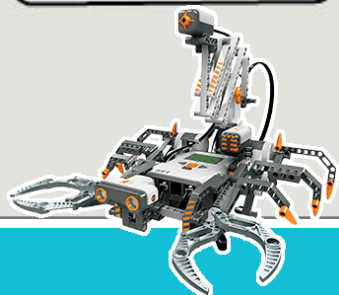
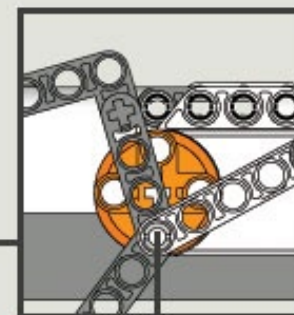
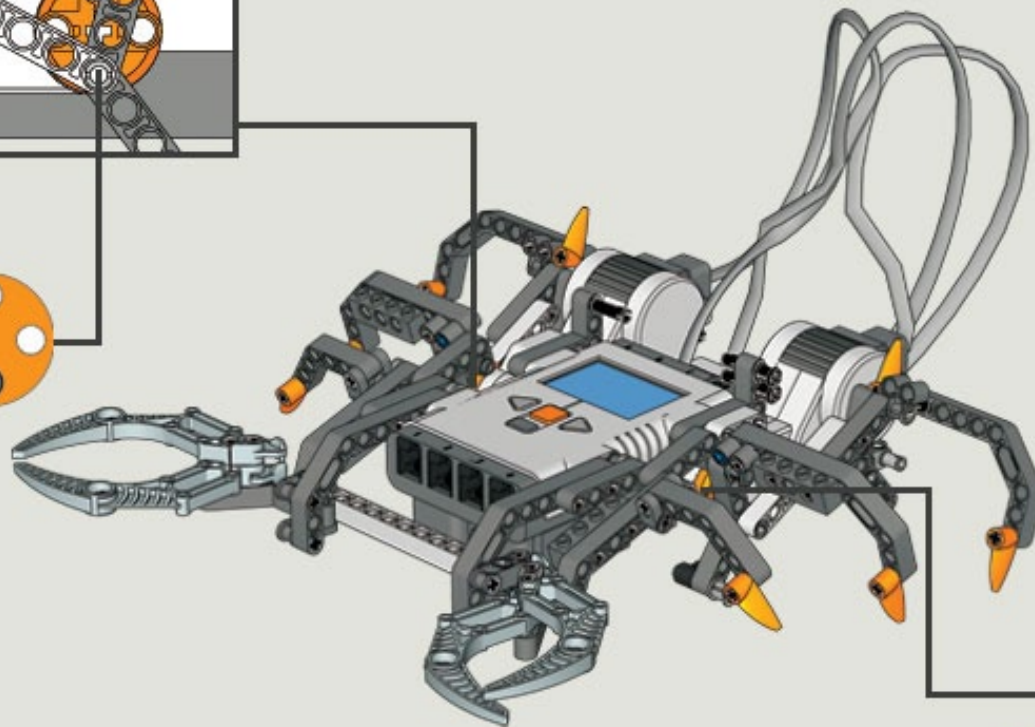
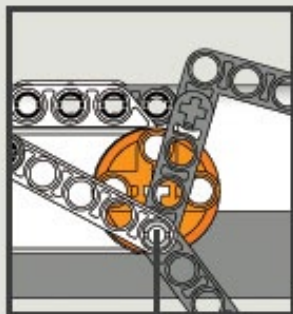
# Spike

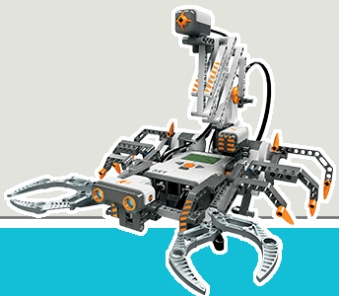
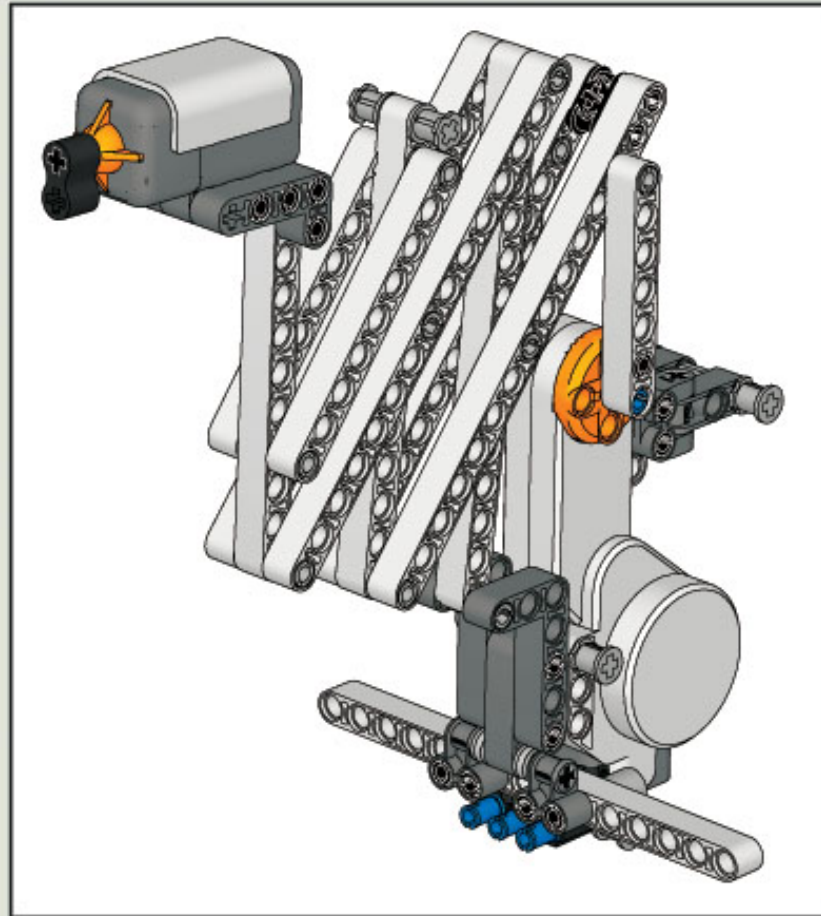
35 CM/14 INCH



2x

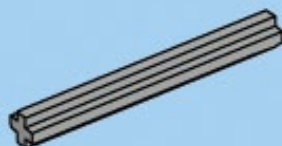






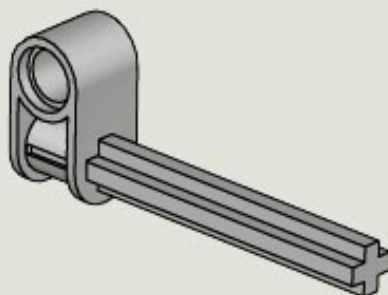


1x

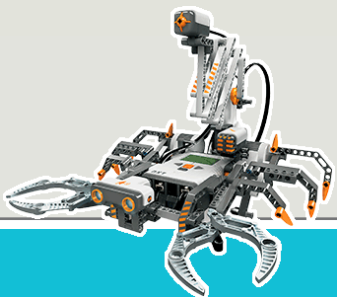


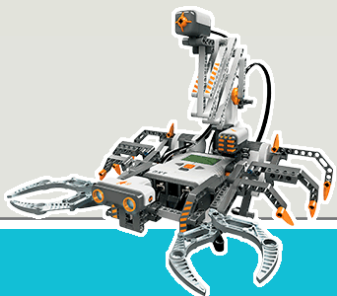
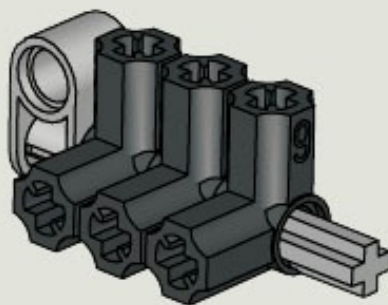
1x

5



5







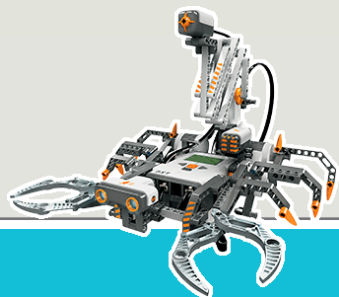
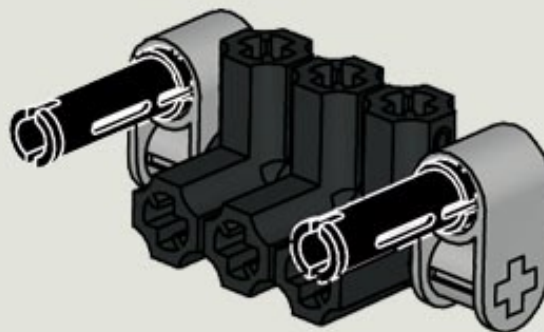
# Spike



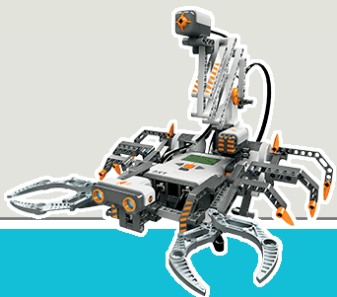
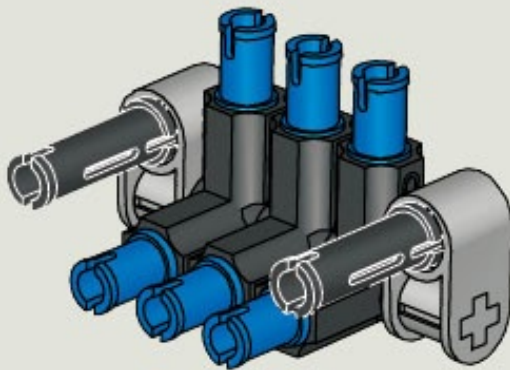
2x

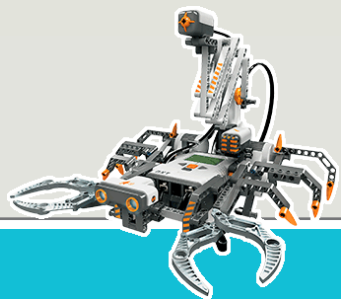
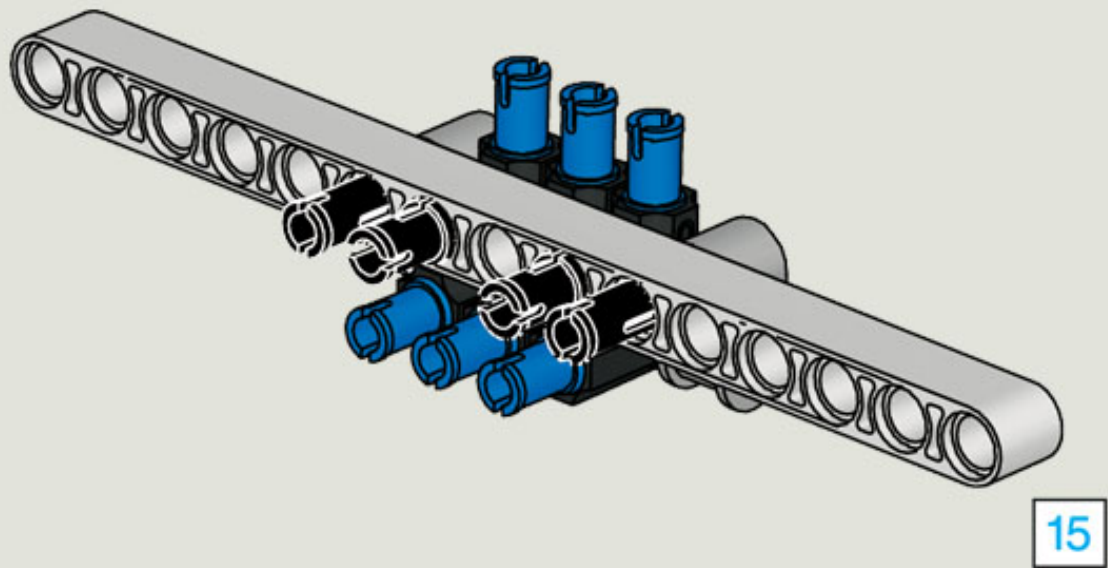
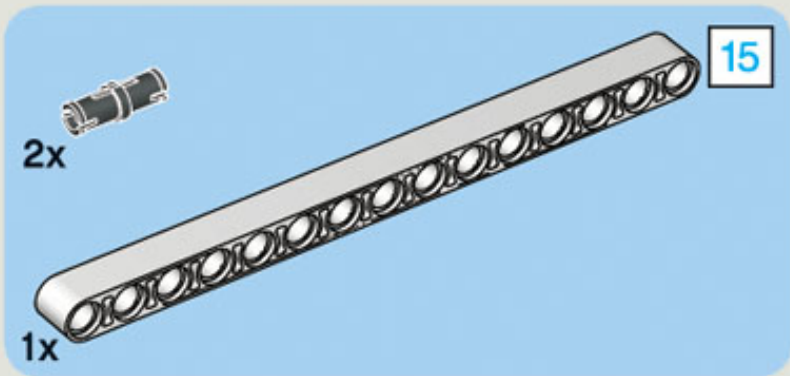


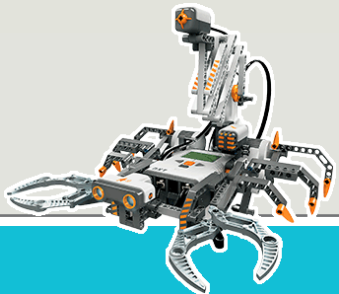
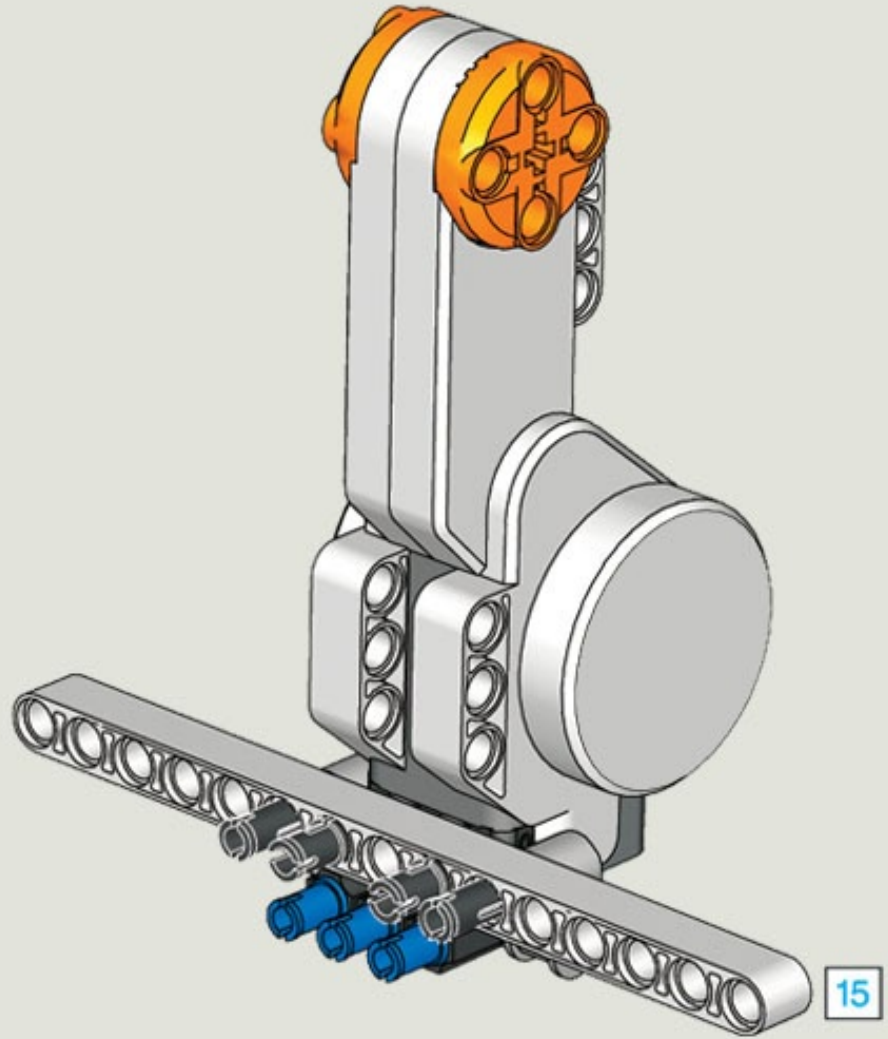
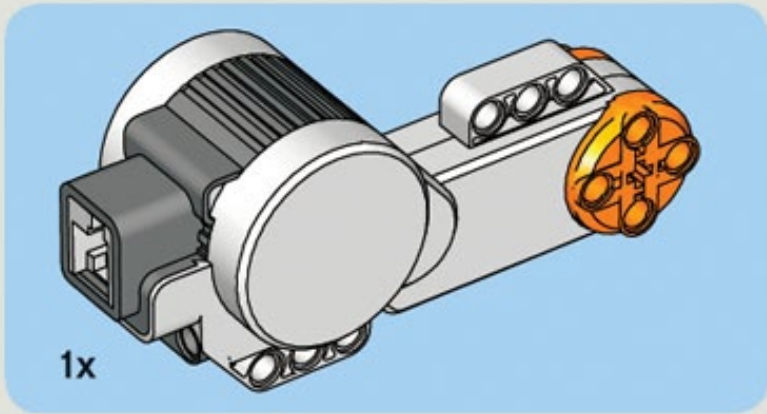
1x

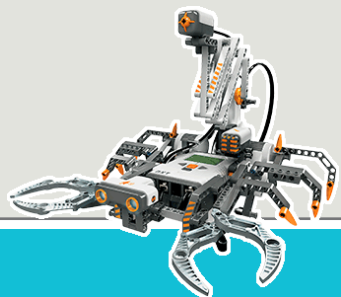
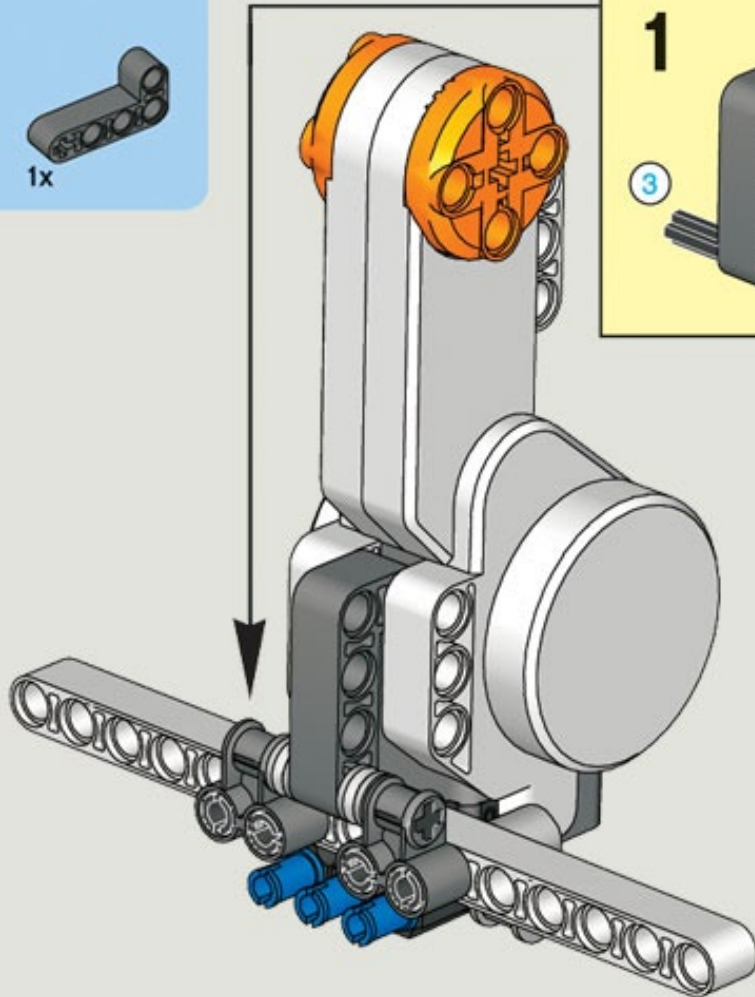
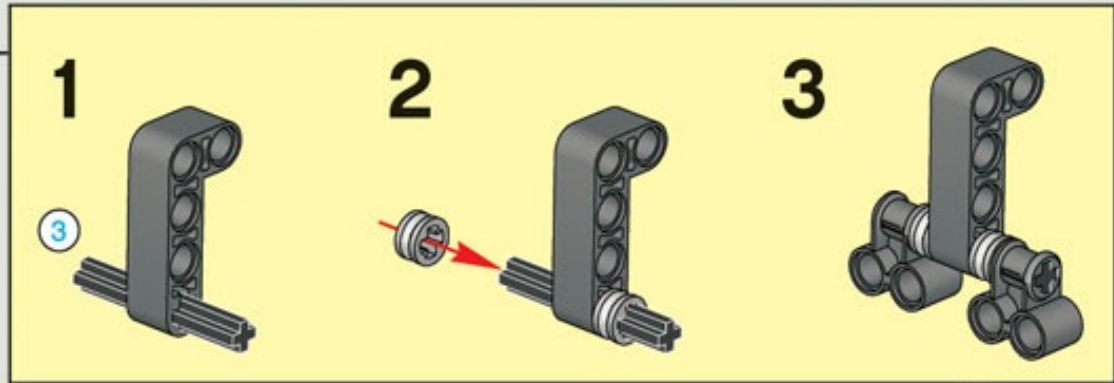


# Spike





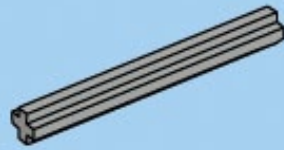




# Spike

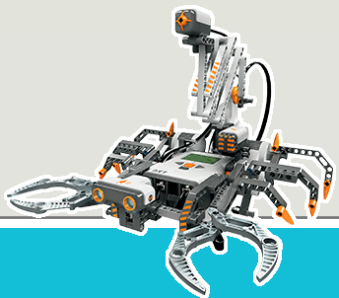
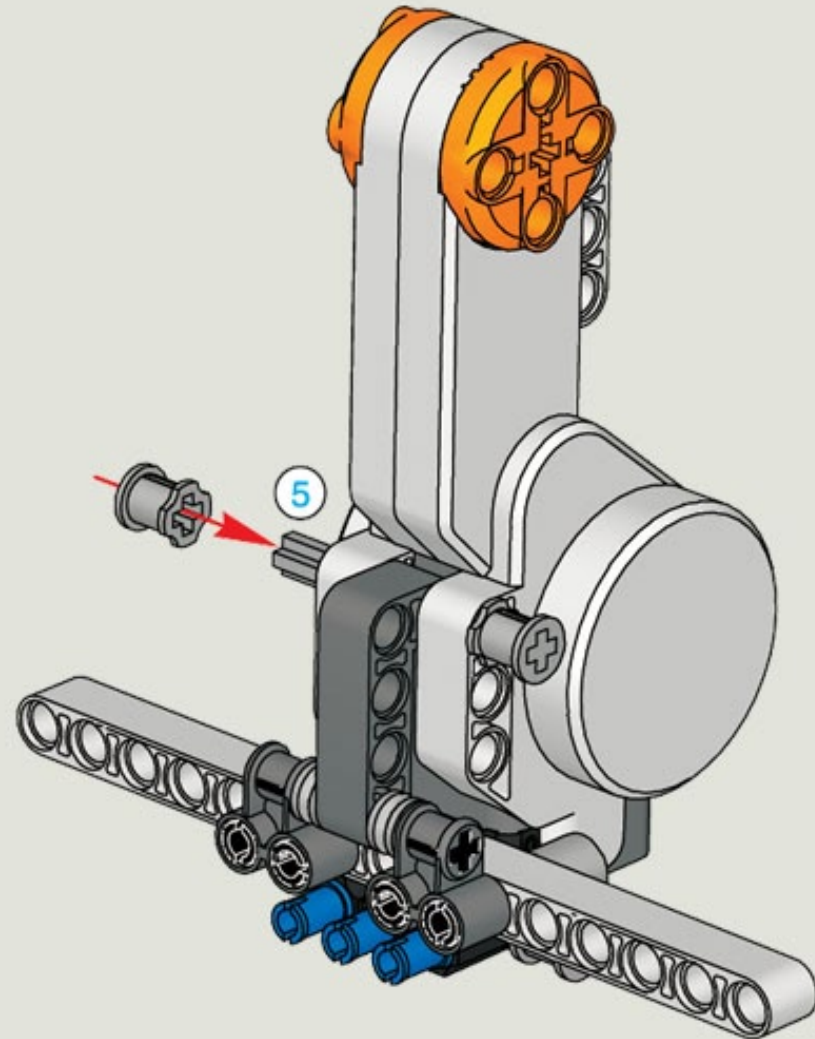


2x



1x

5



# Spike



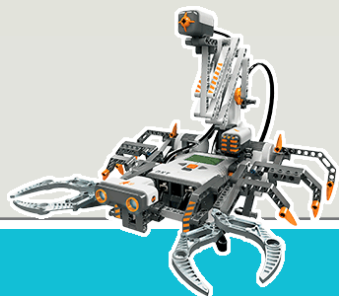
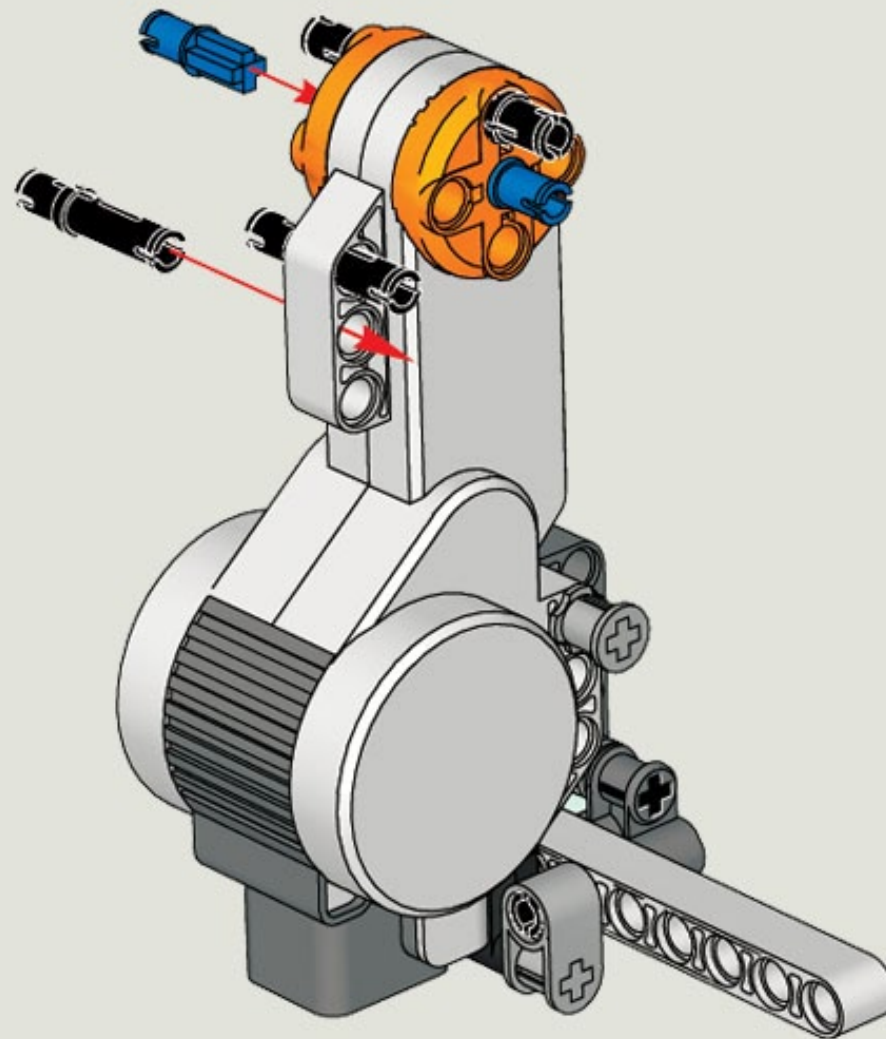
2x

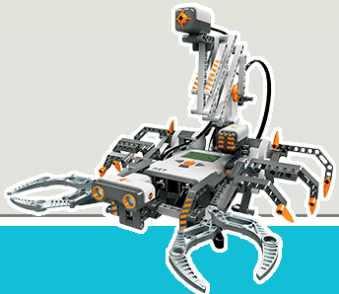
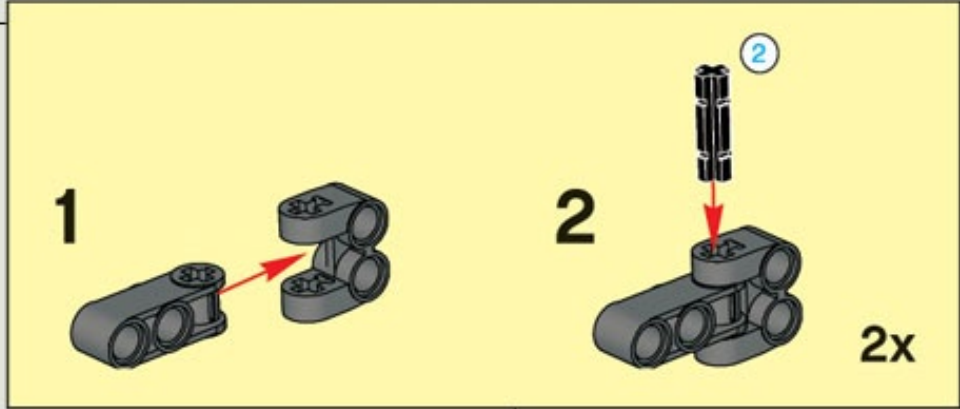
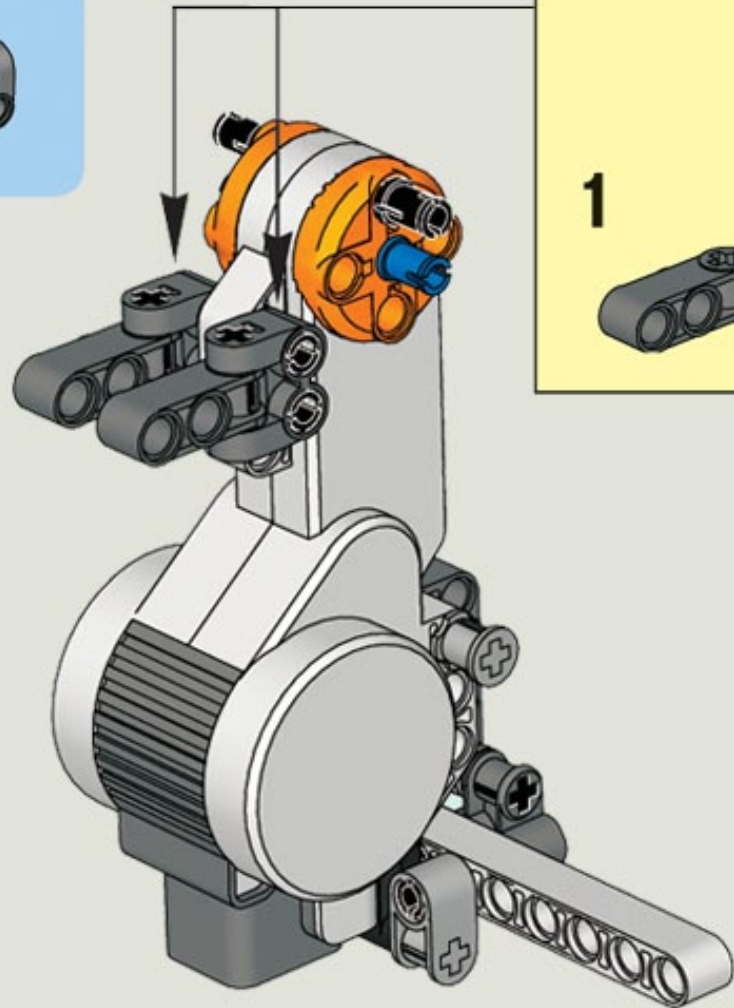
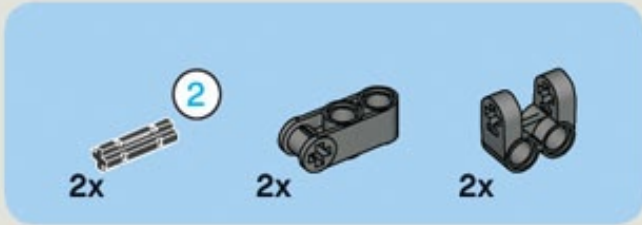


2x



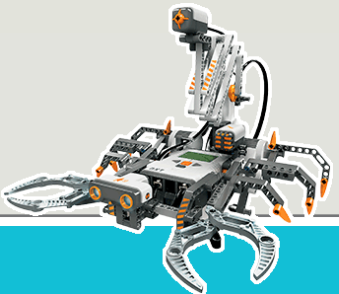
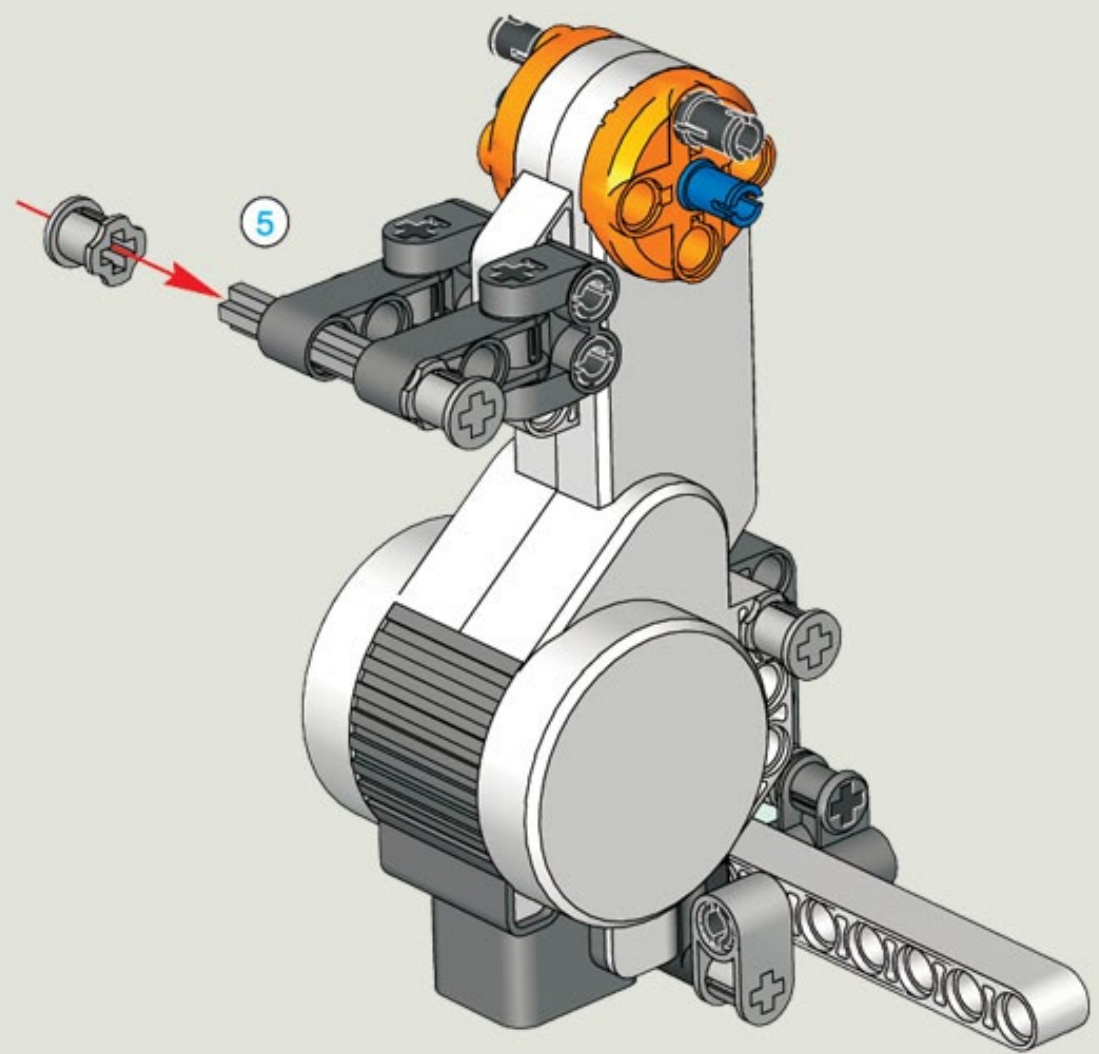
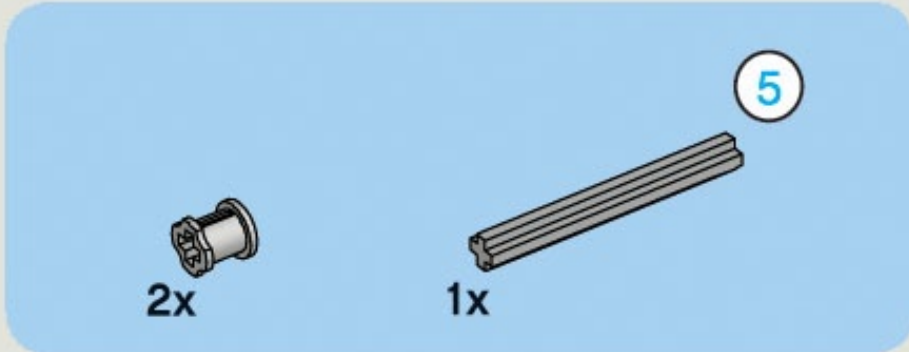
2x



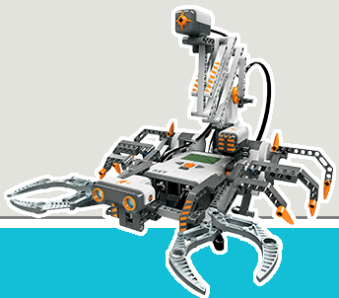
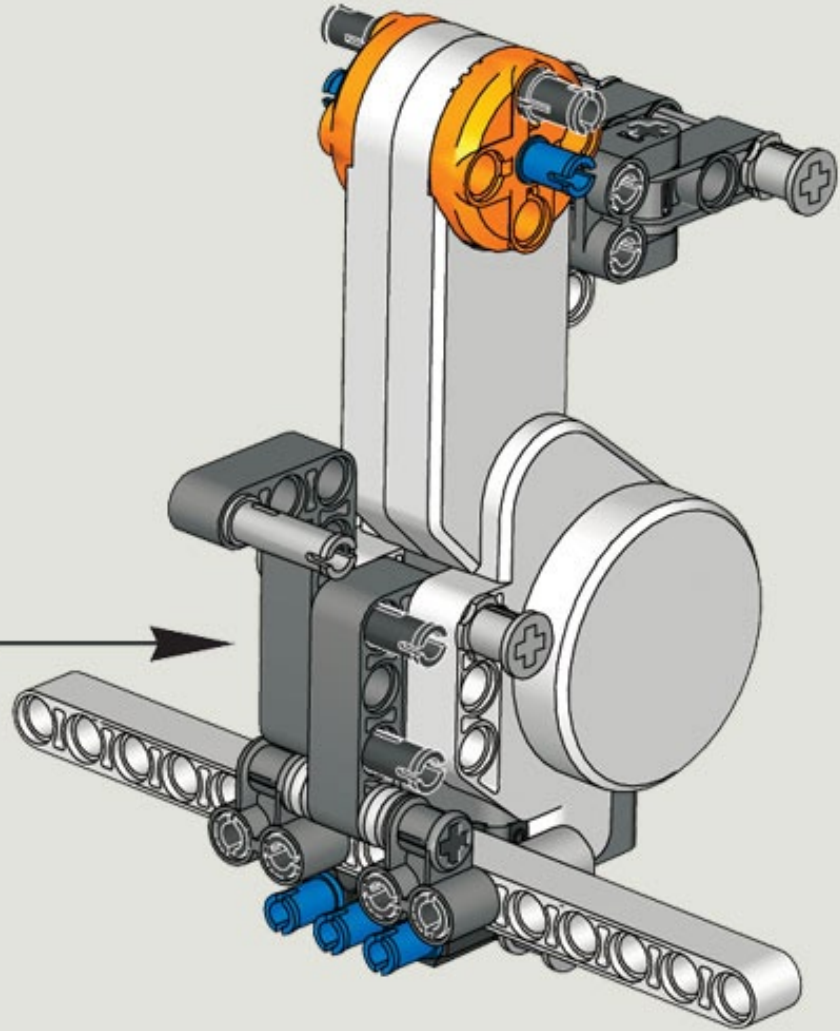
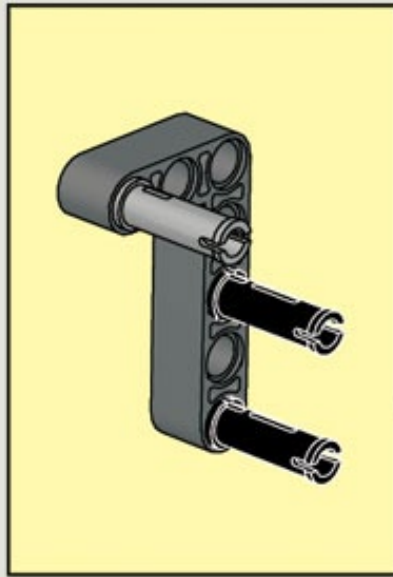
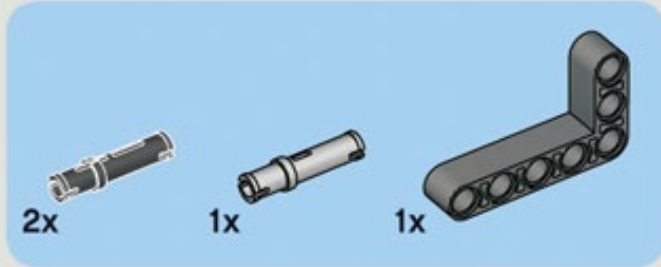


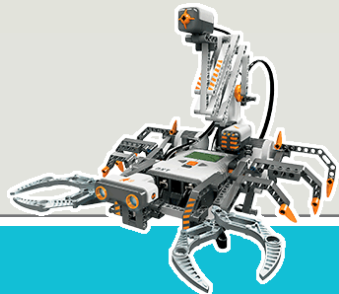
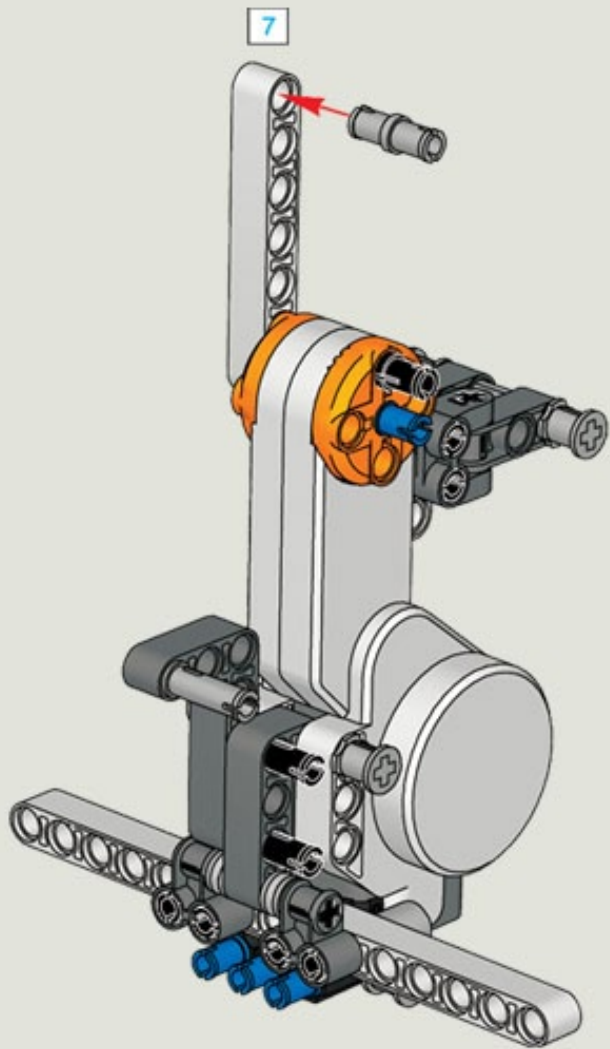
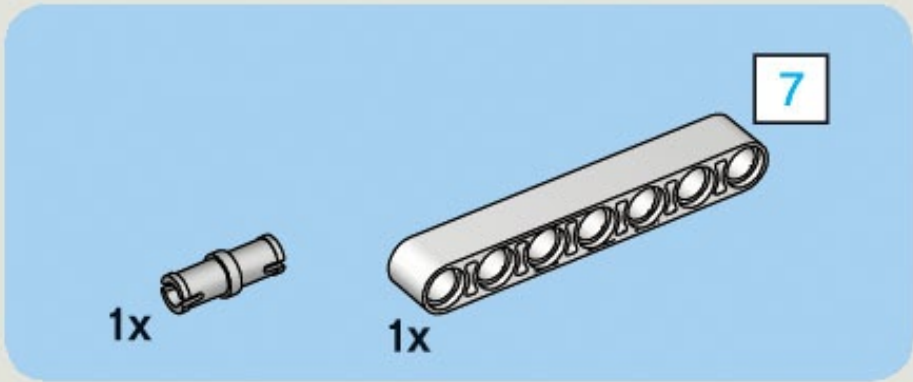


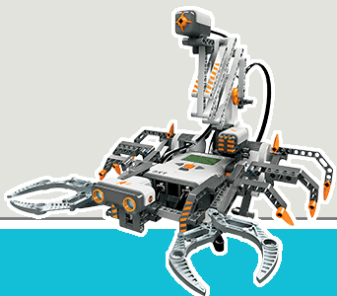
# Spike



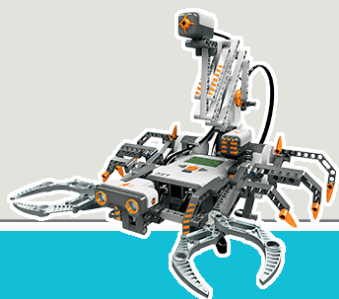
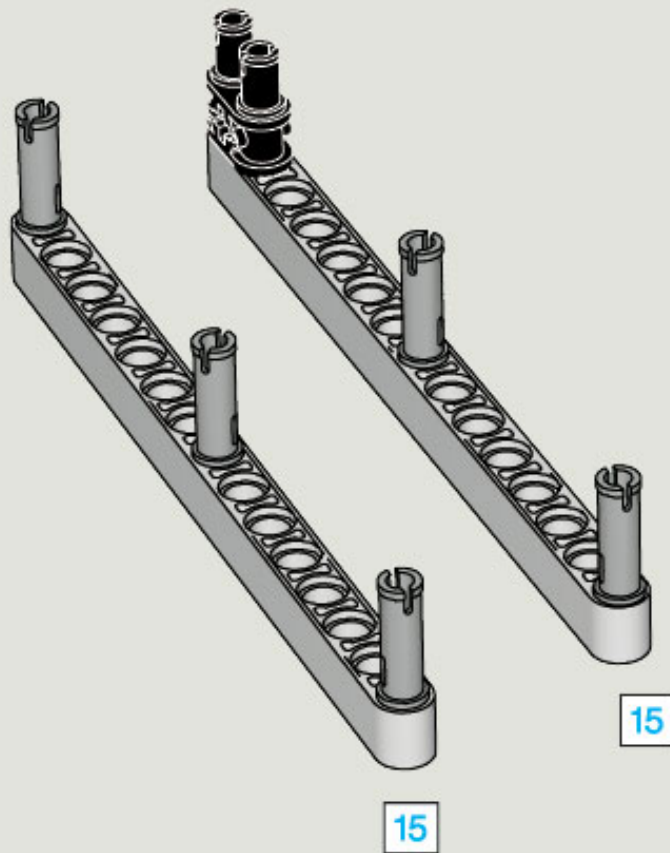
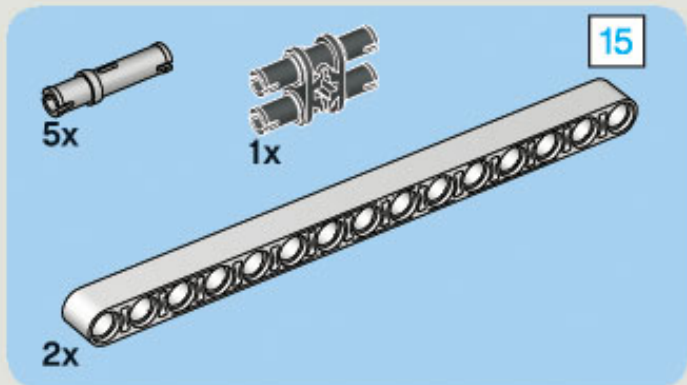
# Spike



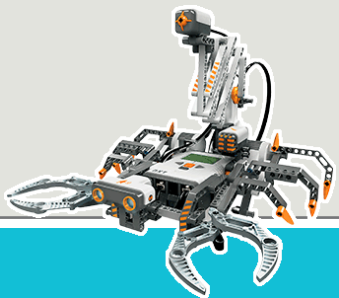
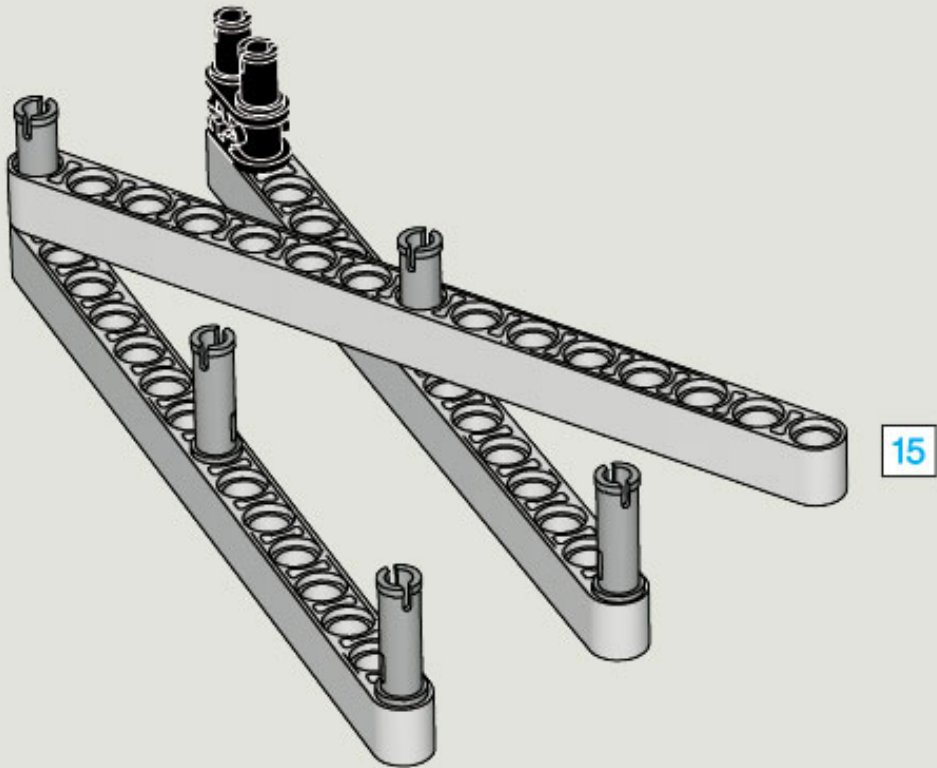
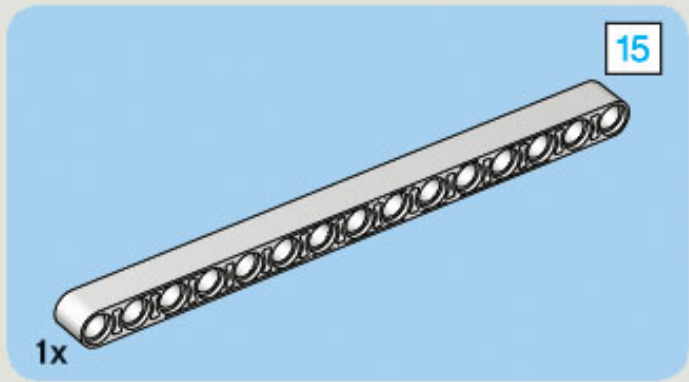




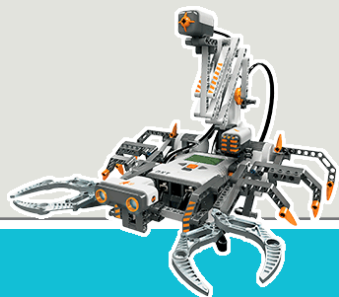
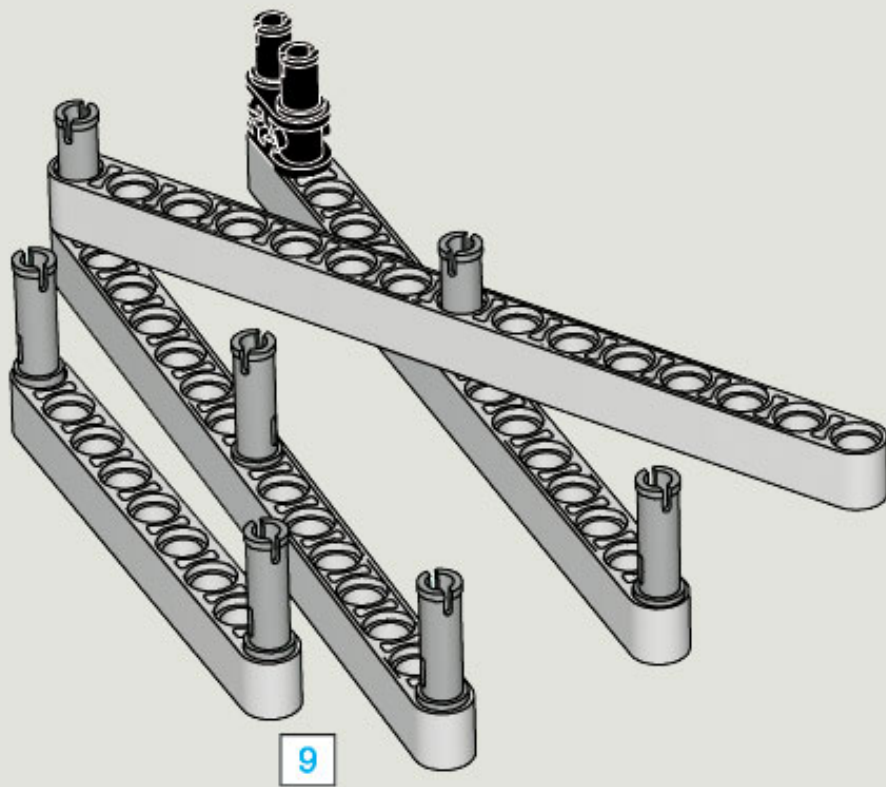
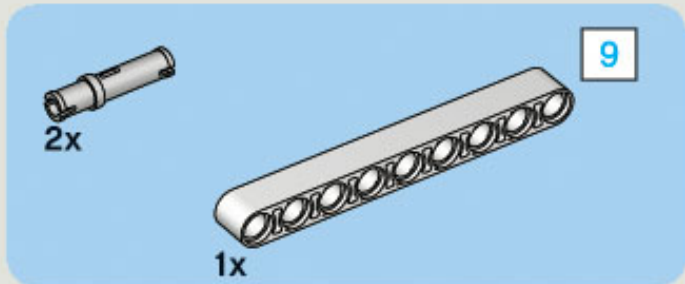
# Spike



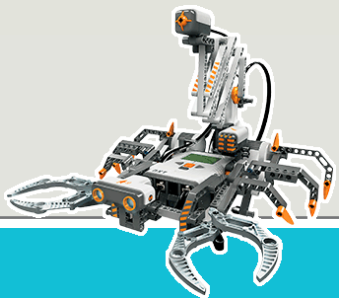
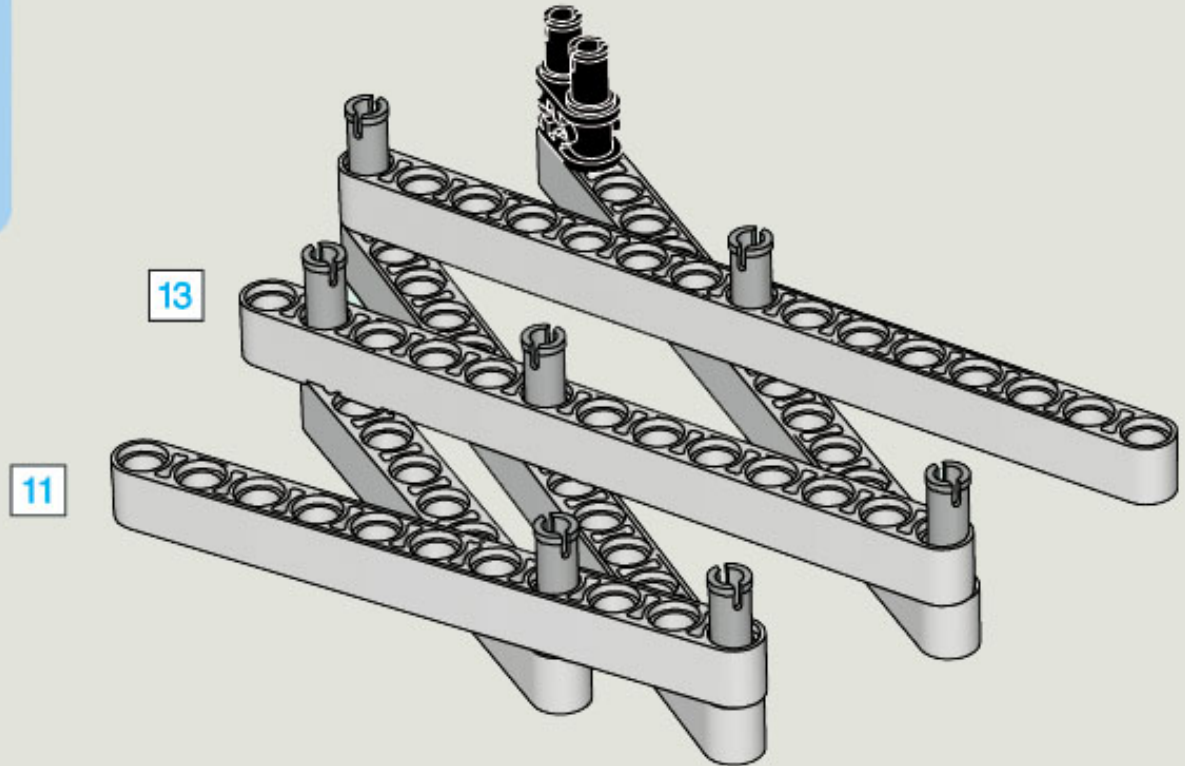
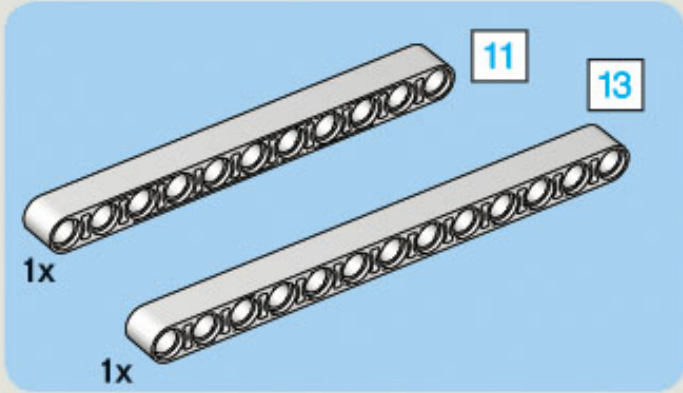
# Spike



# Spike

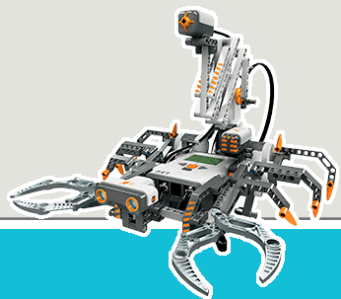
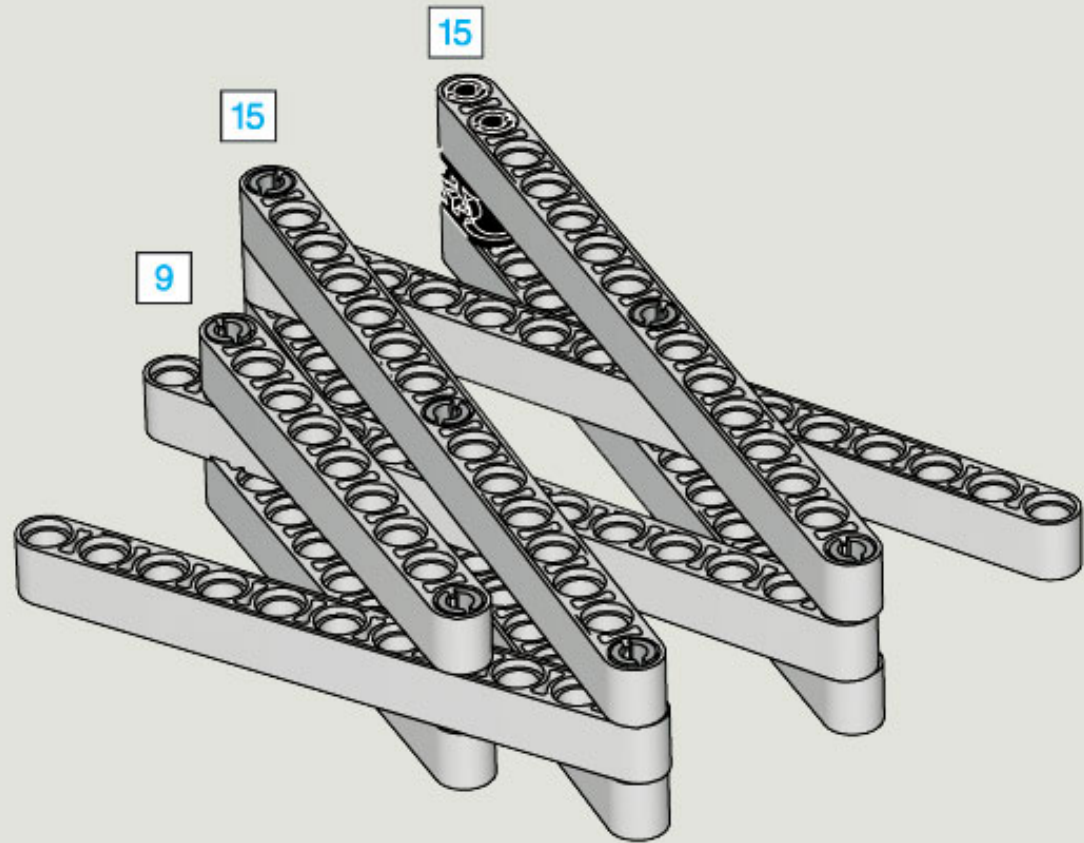
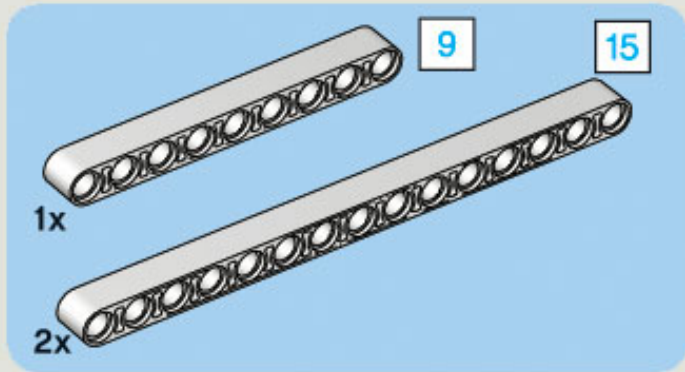


# Spike

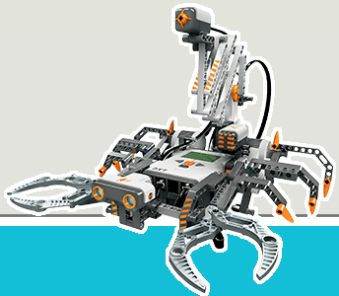
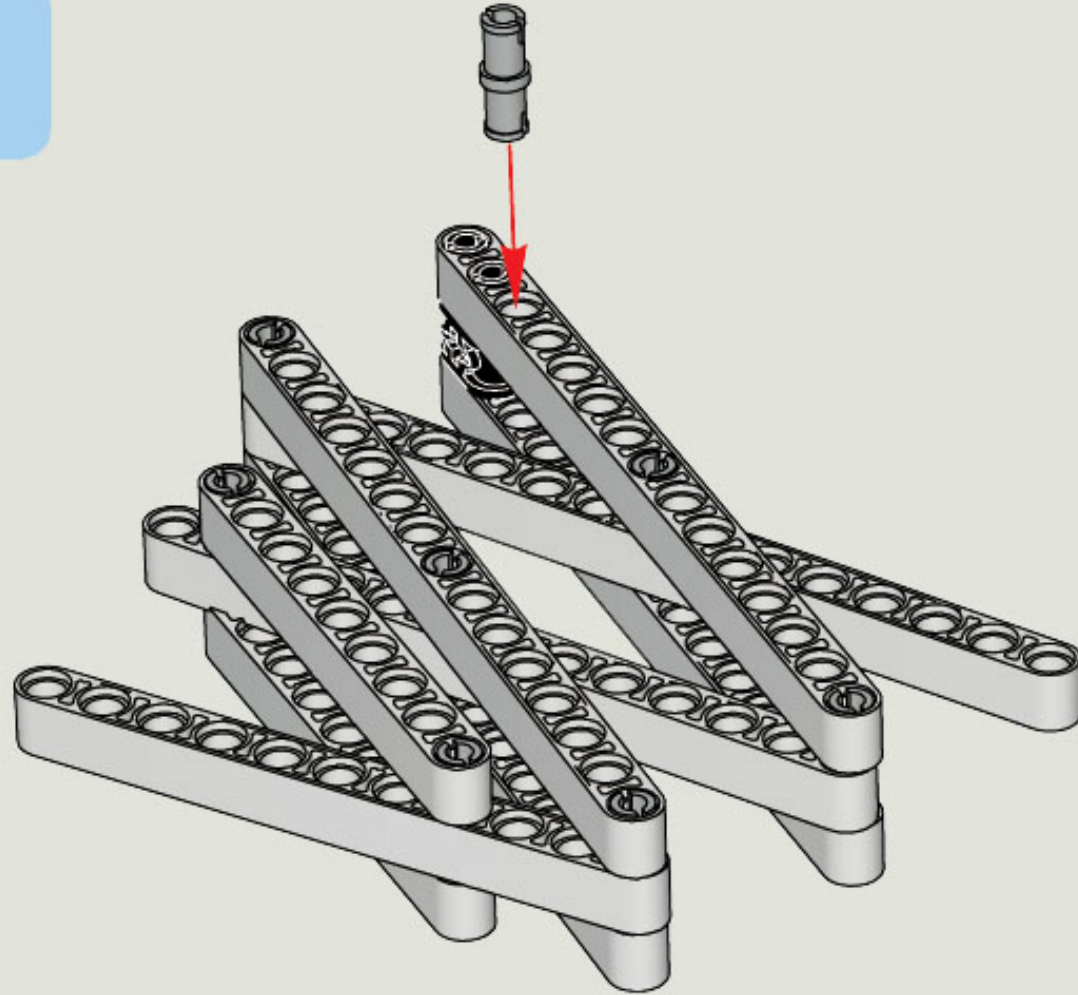




# Spike



# Spike



# Spike



2x

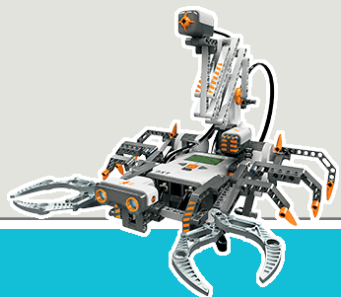
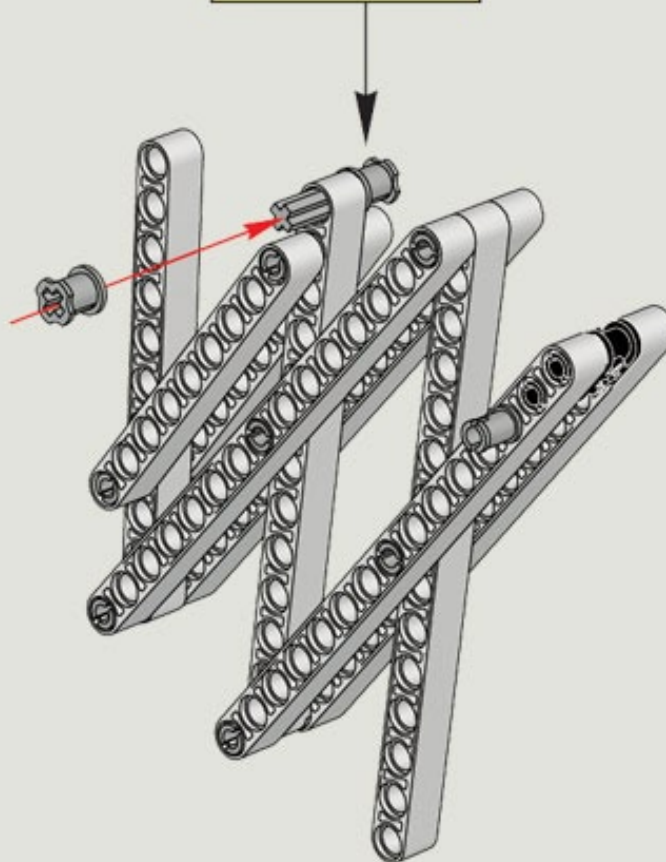


1x

3



3



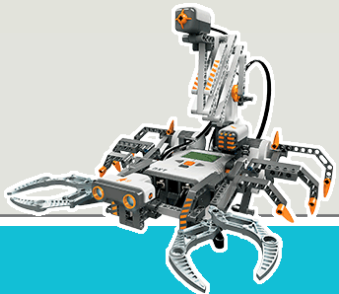
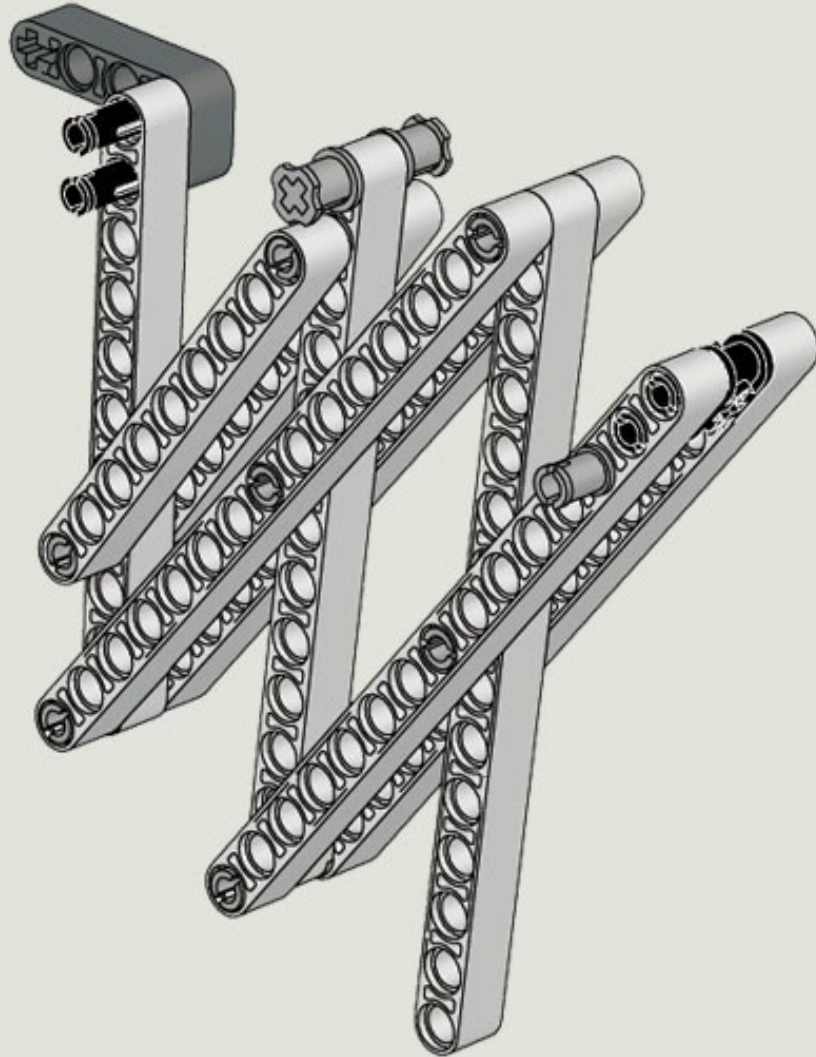
# Spike



2x



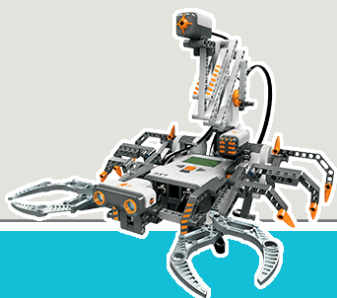
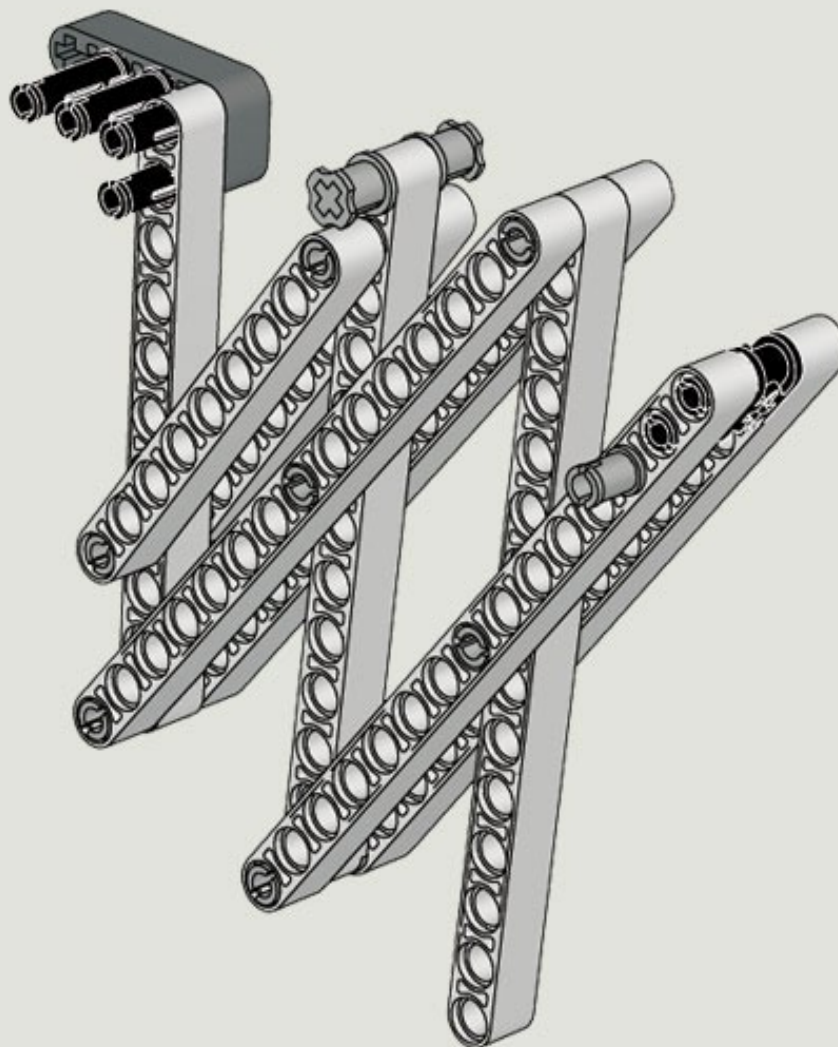
1x



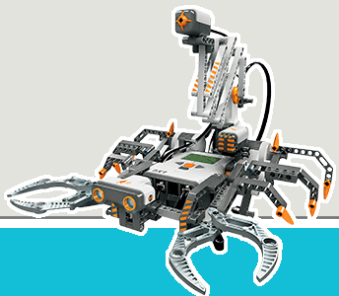
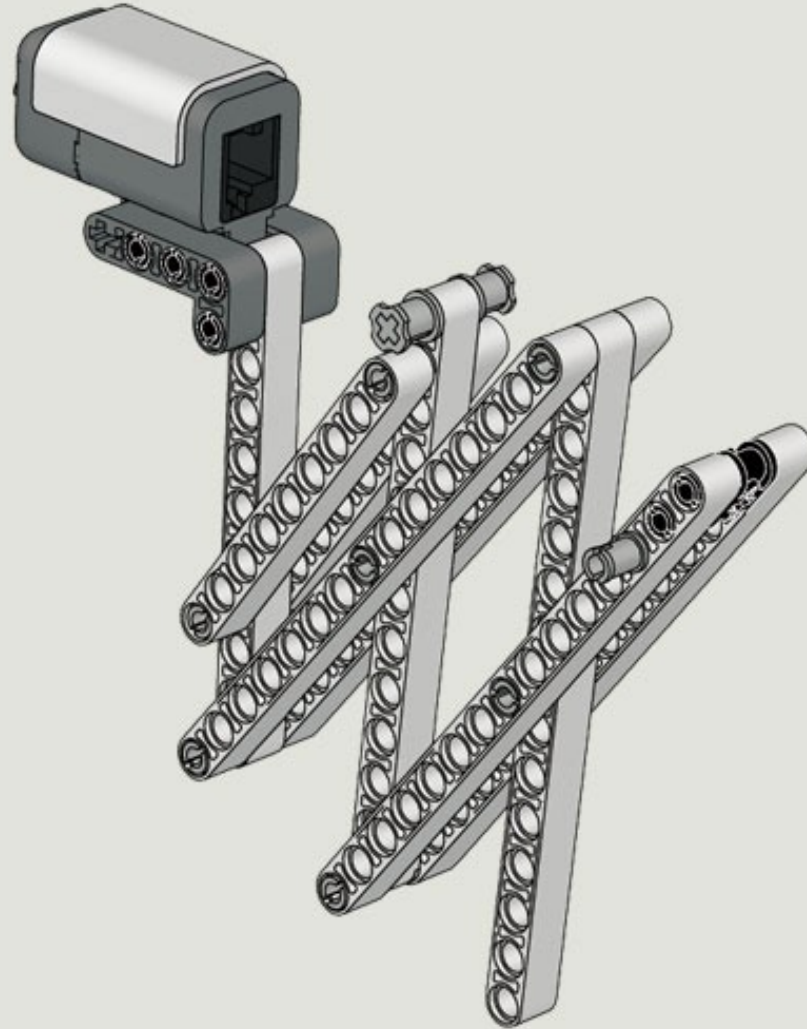
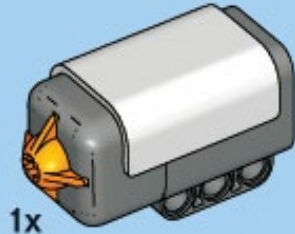
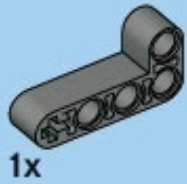
# Spike

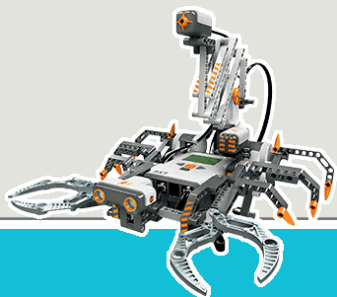
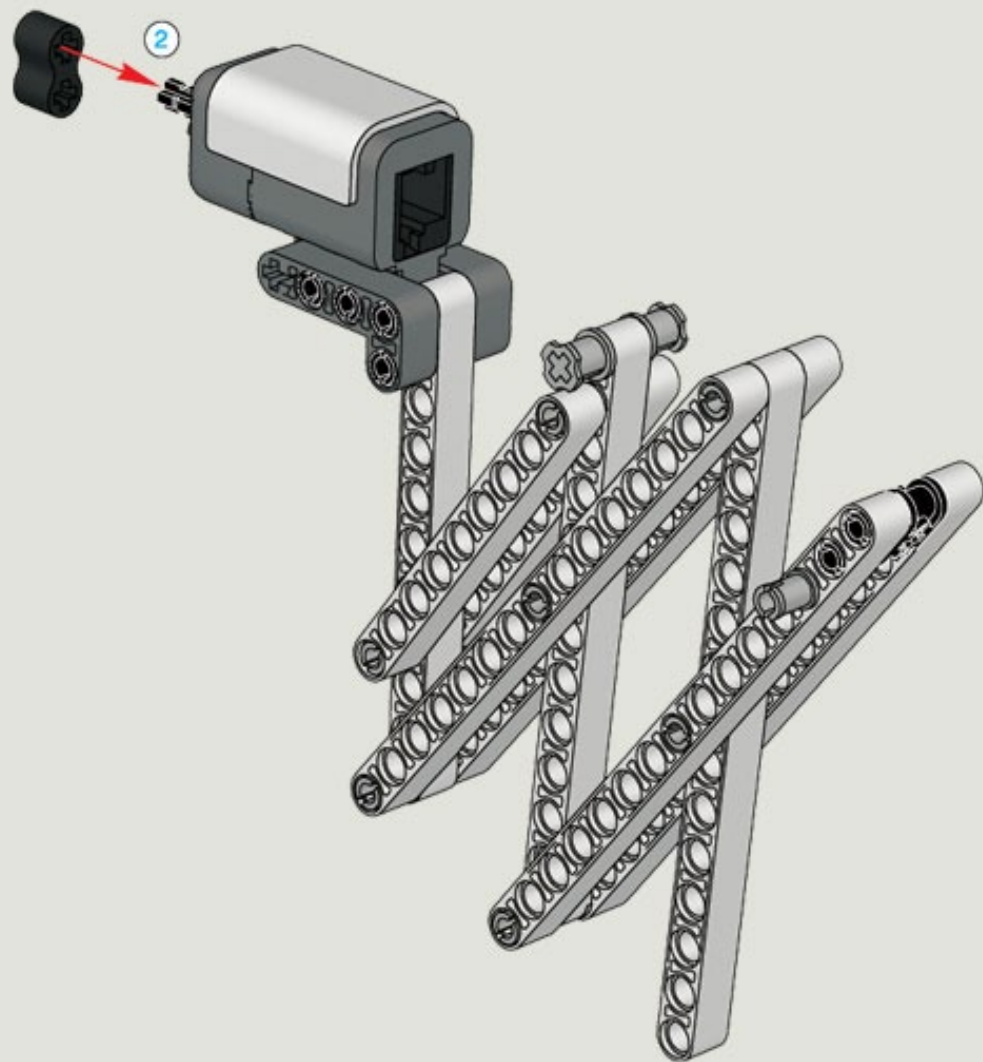
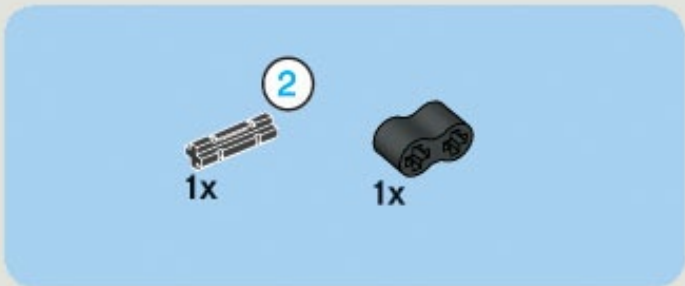


2x

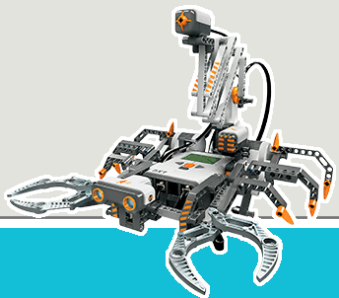
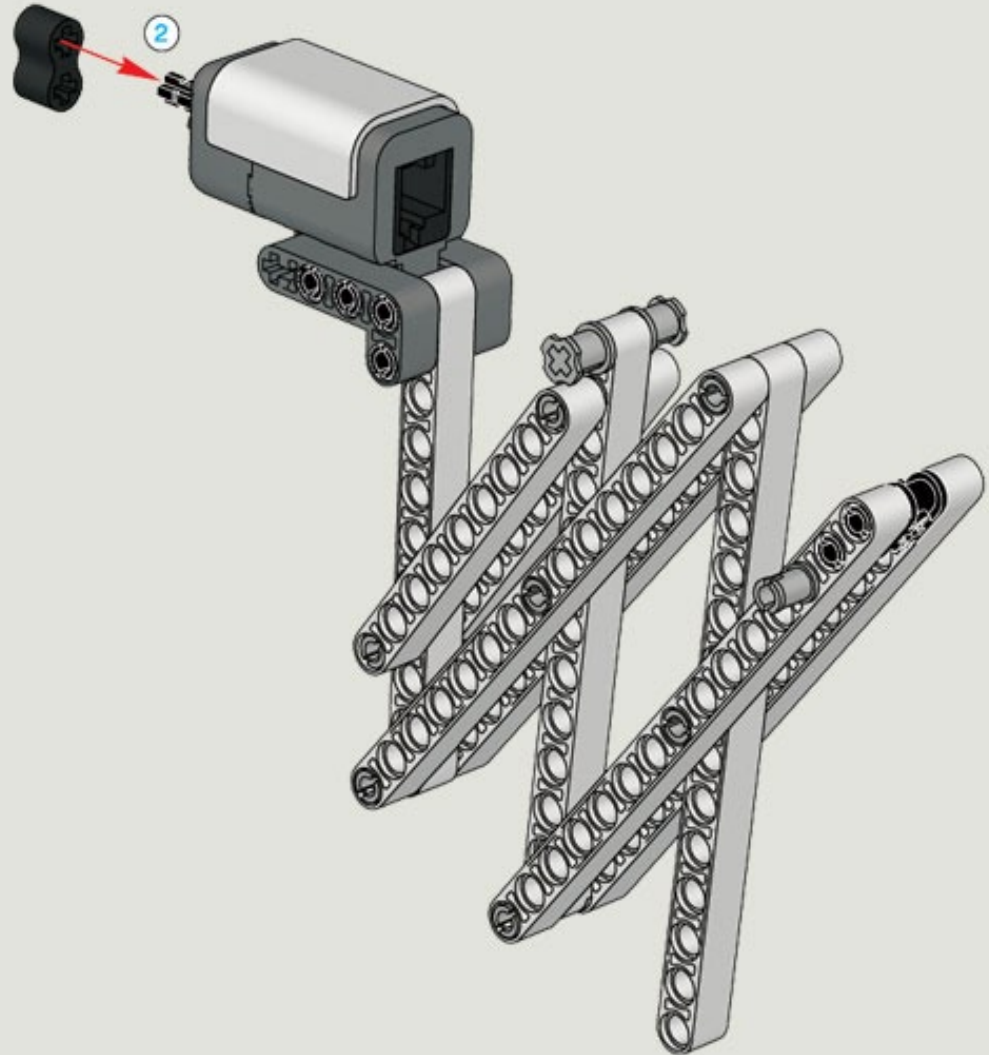


# Spike

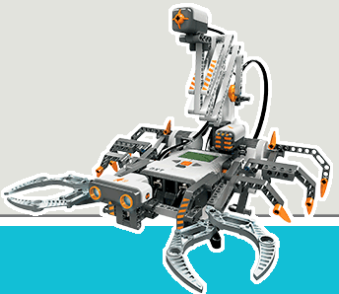
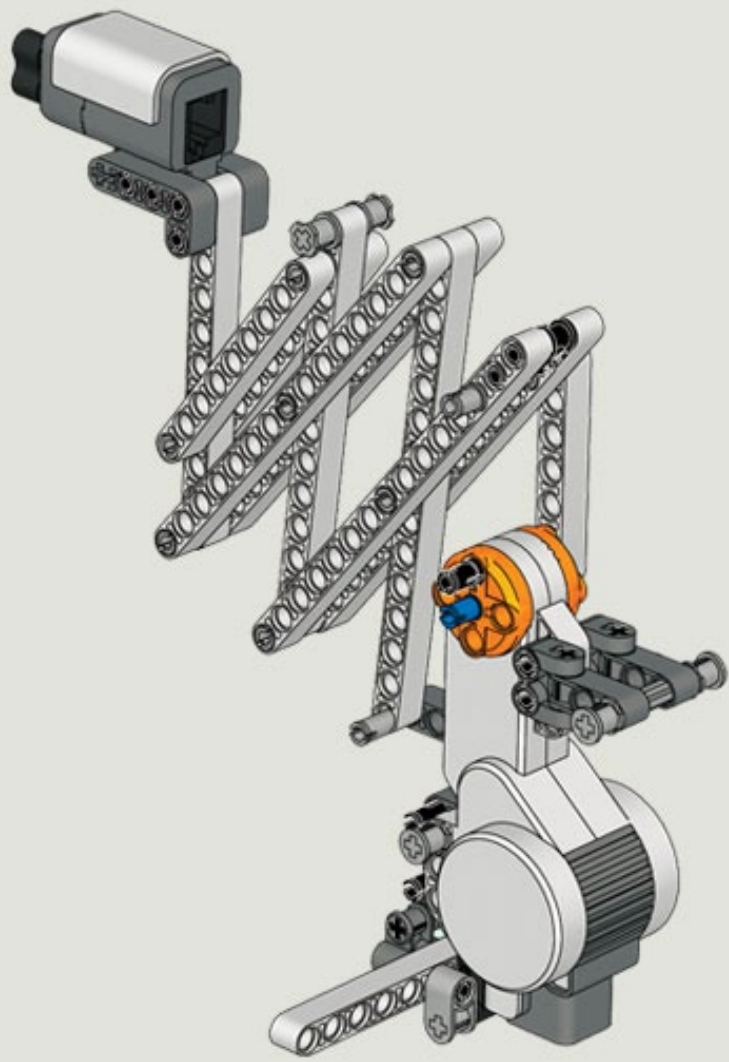


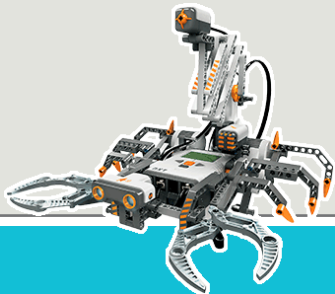
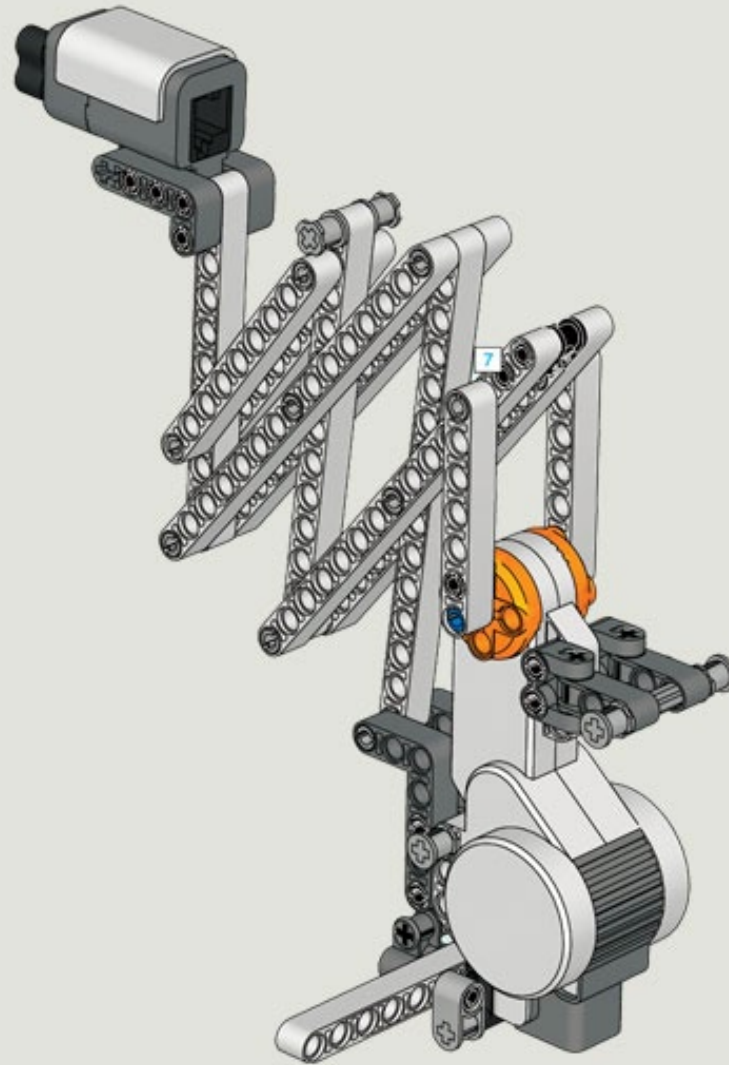
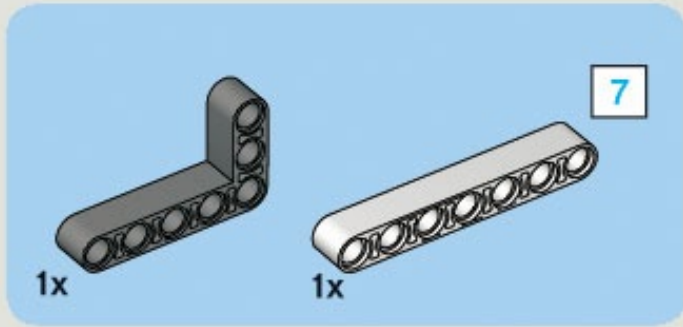


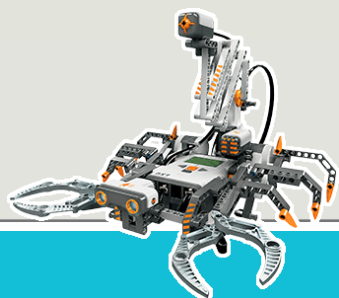
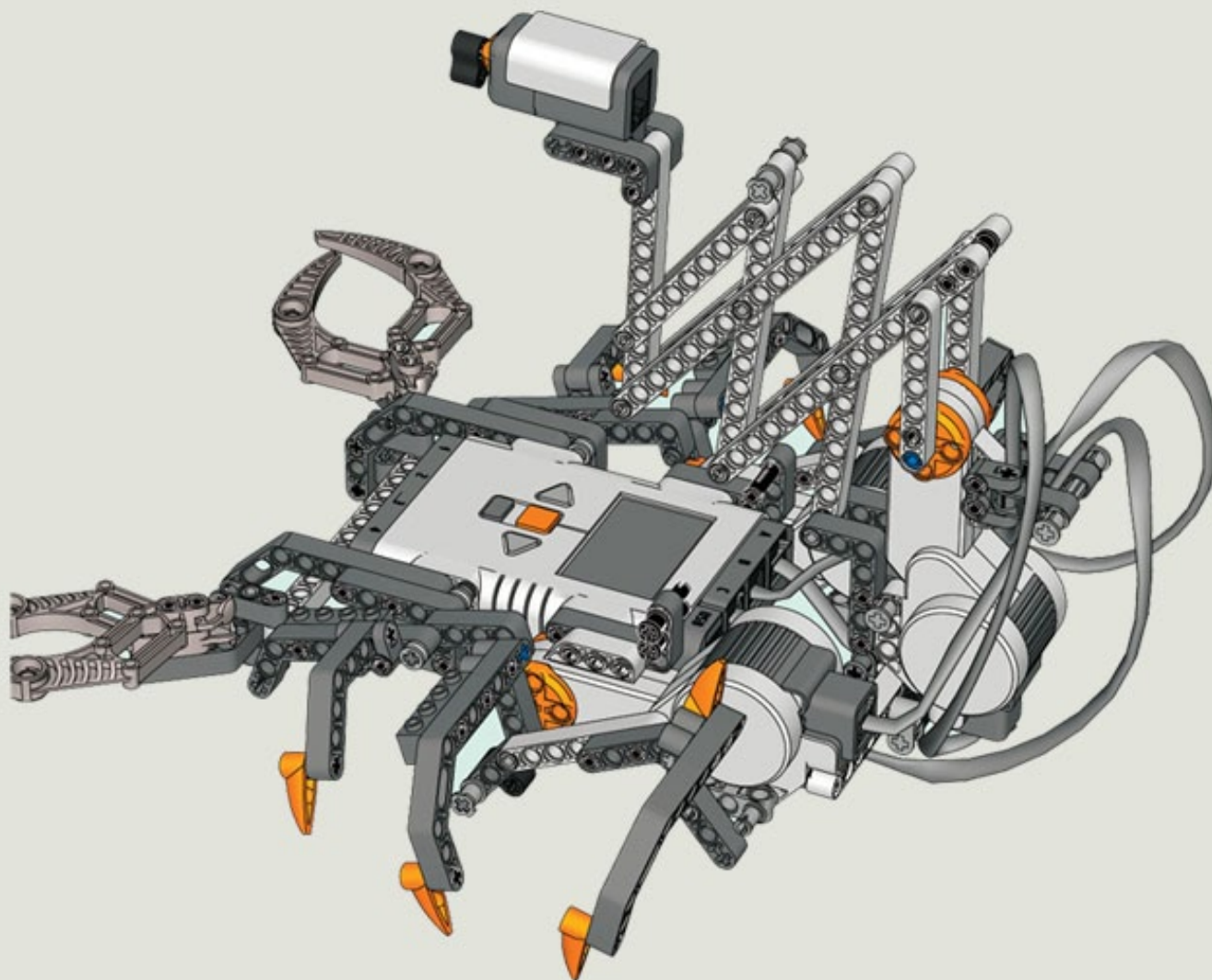
# Spike











# Spike

35 CM/14 INCH

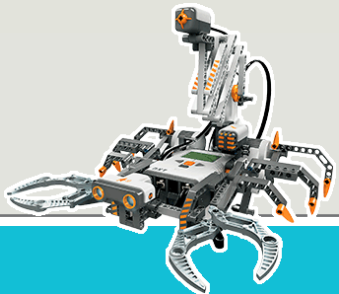
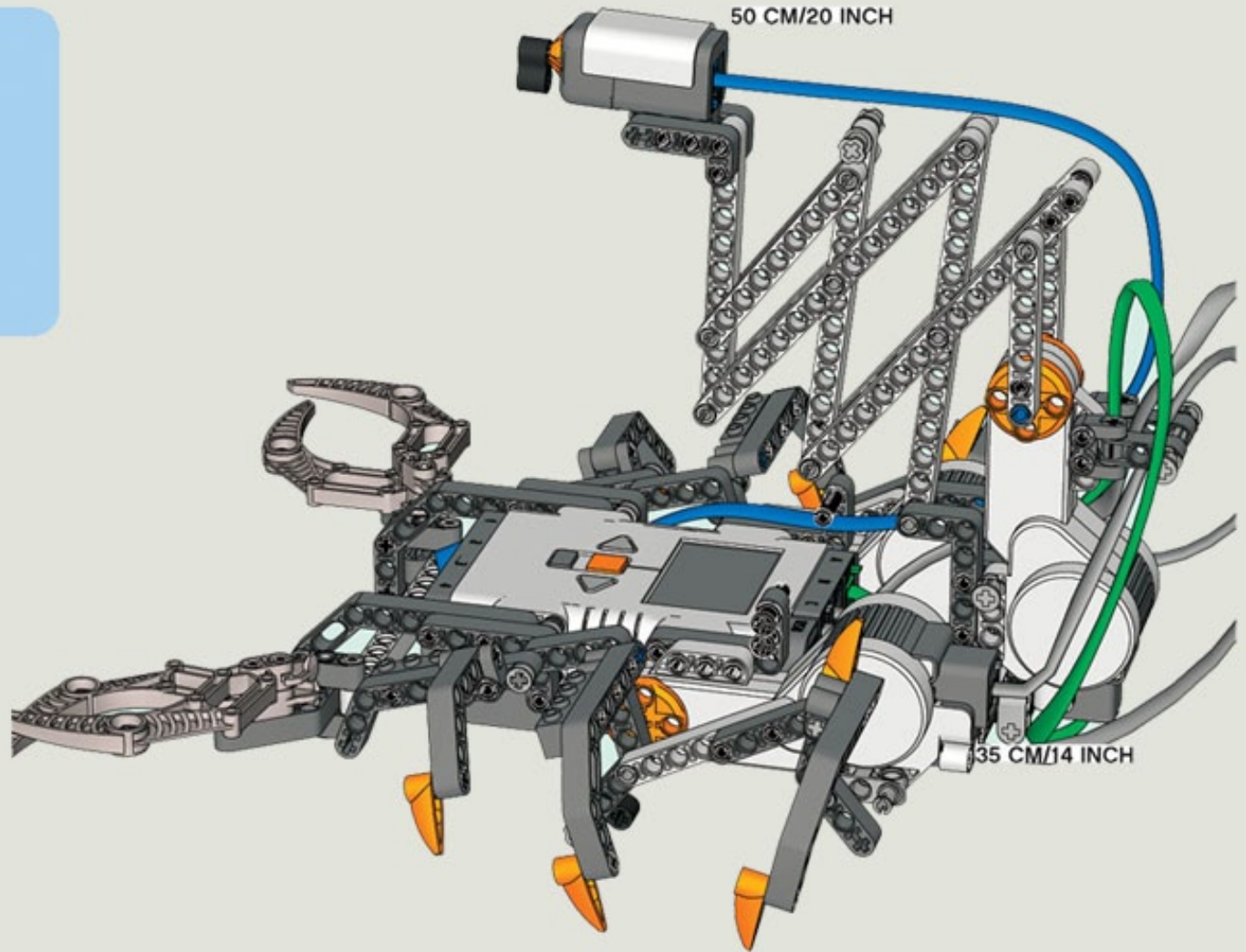


1x

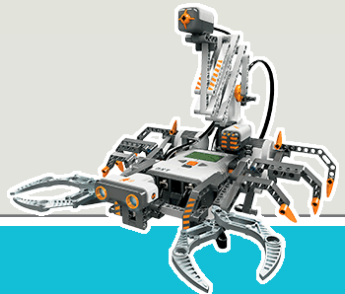
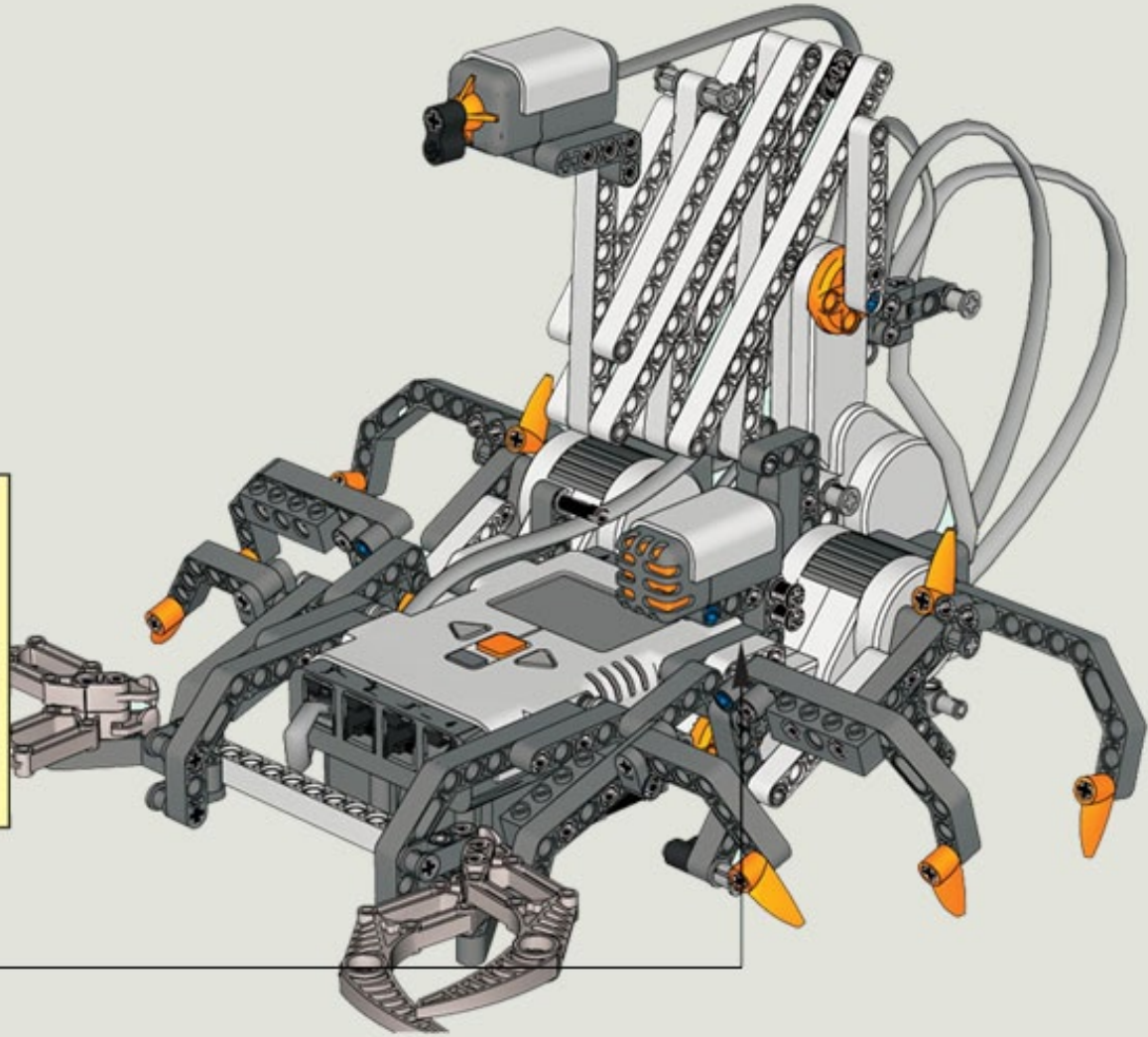
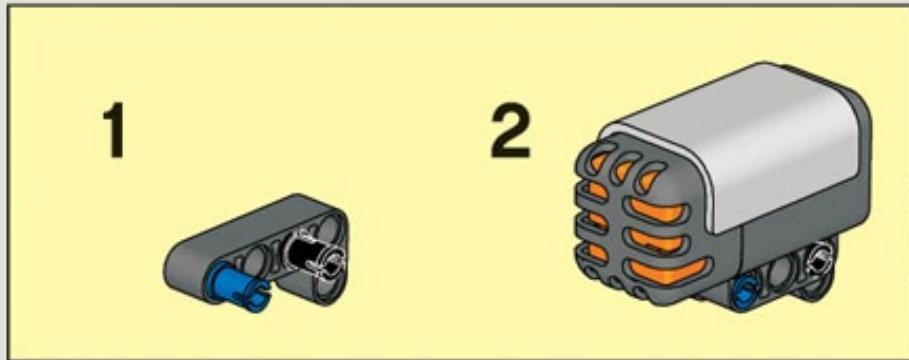
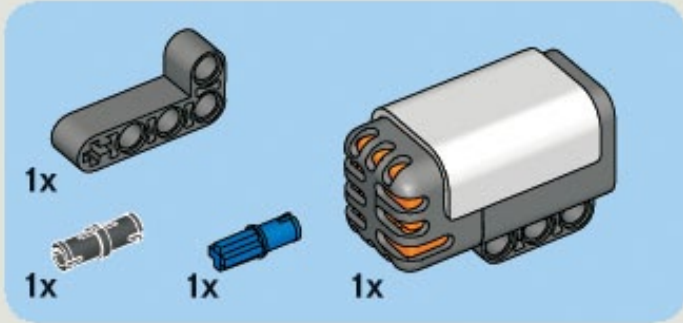
50 CM/20 INCH



1x



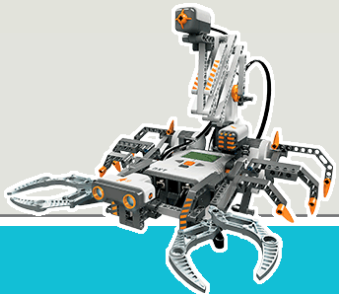
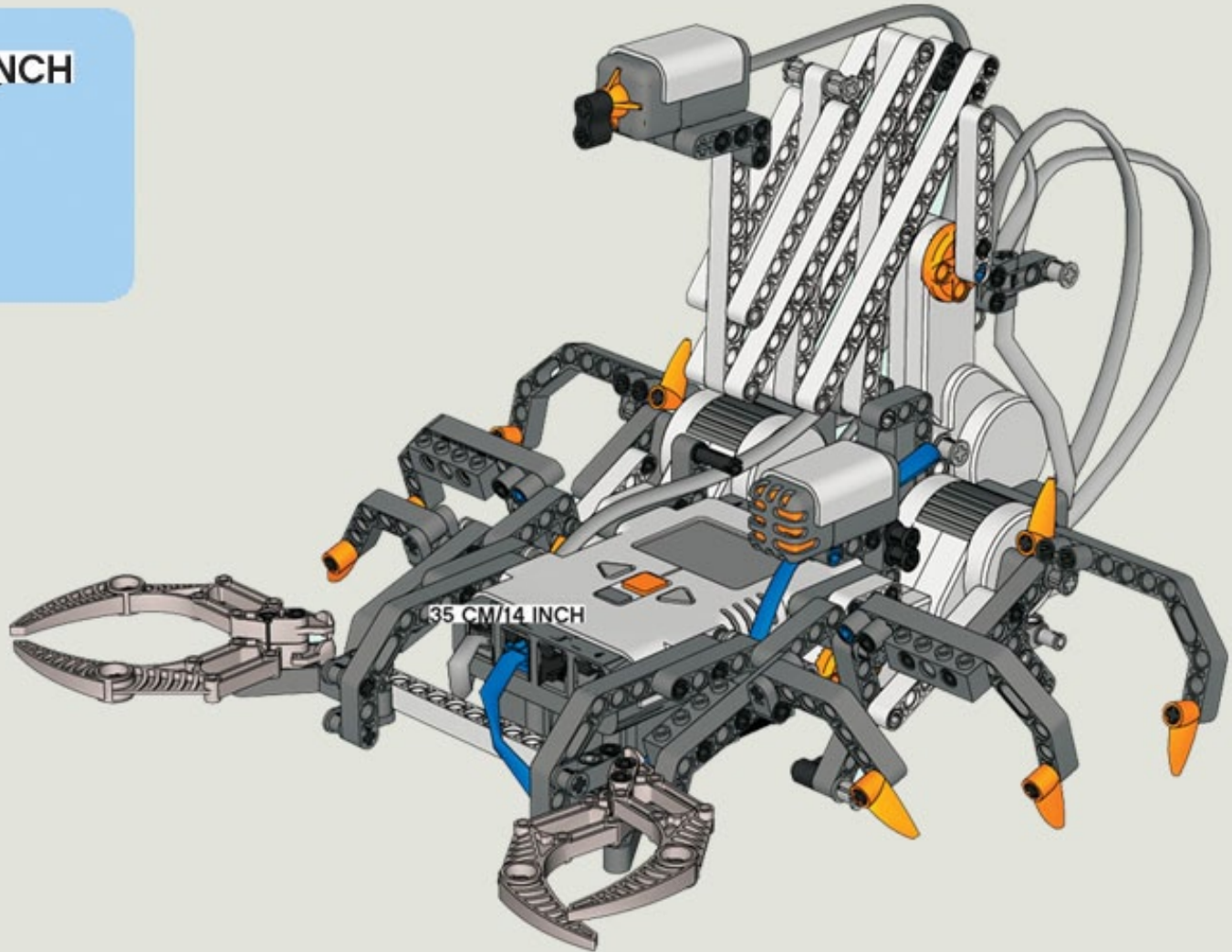
# Spike



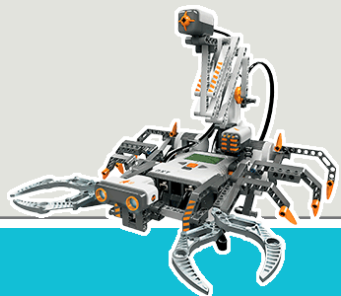
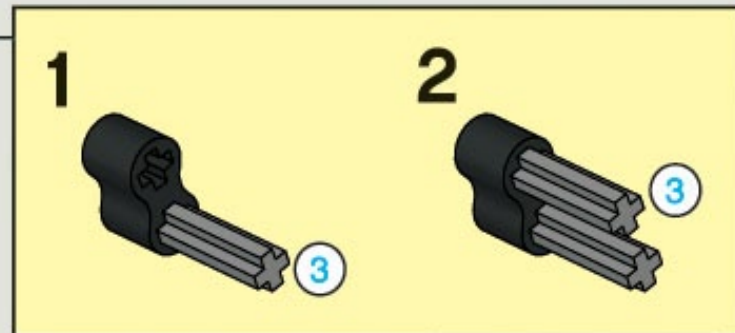
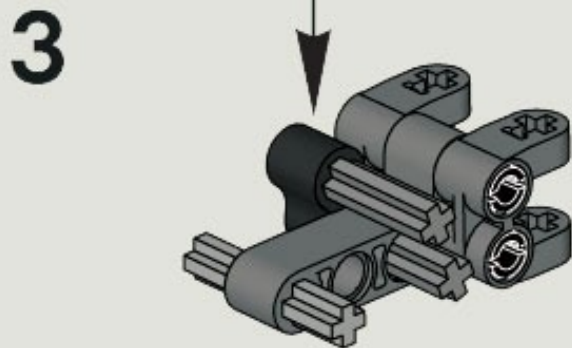
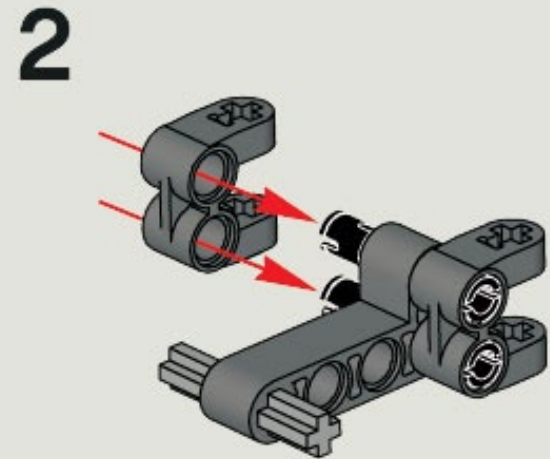
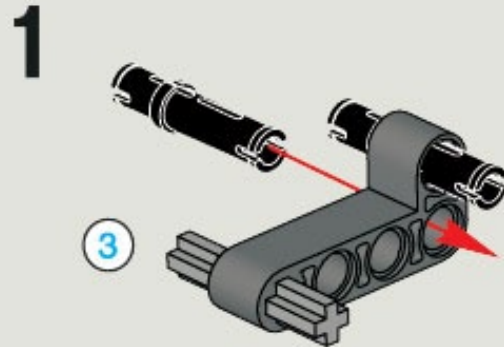
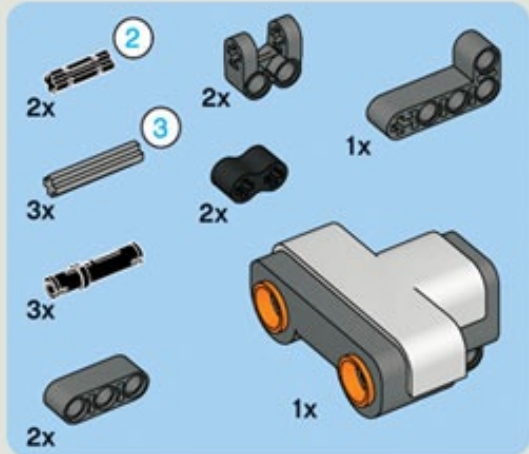
35 CM/14 INCH



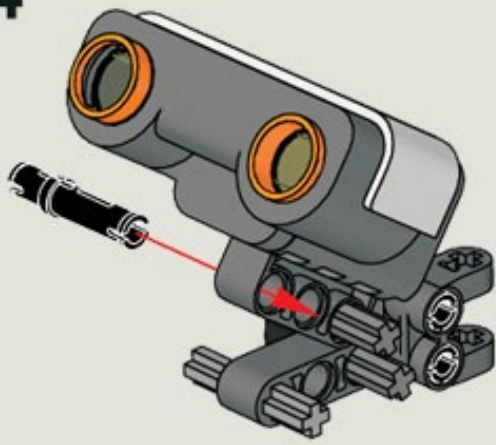
1x



# Spike



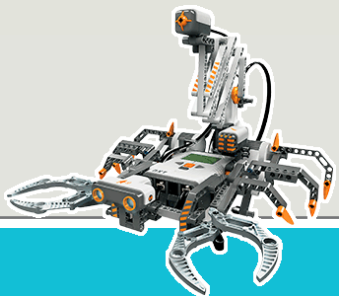
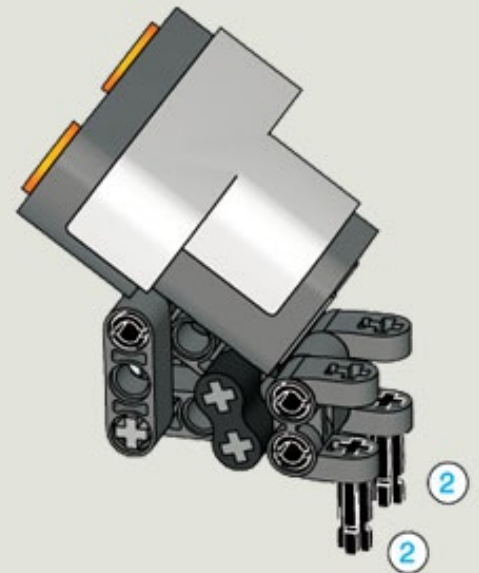
4



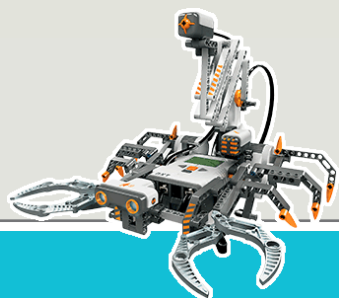
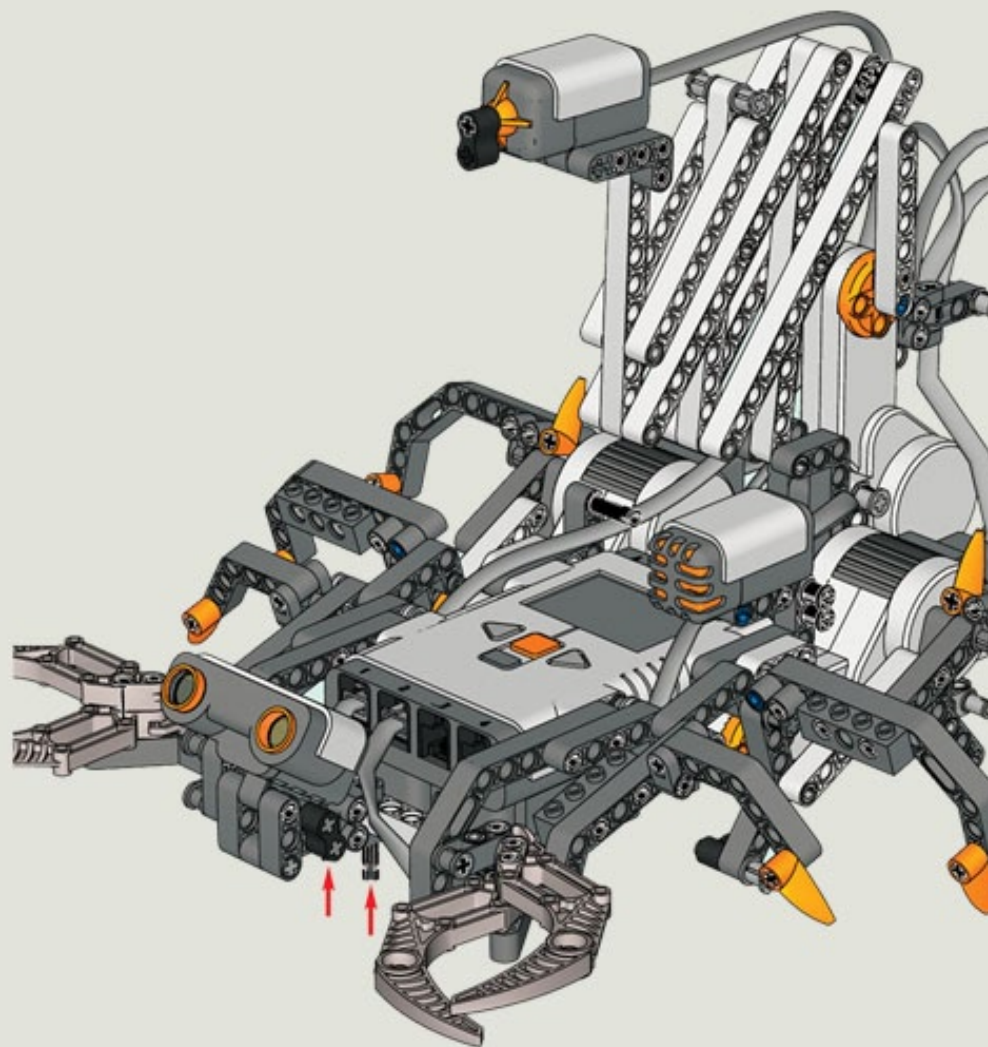
5



6







# Spike

20 CM/8 INCH

1x

